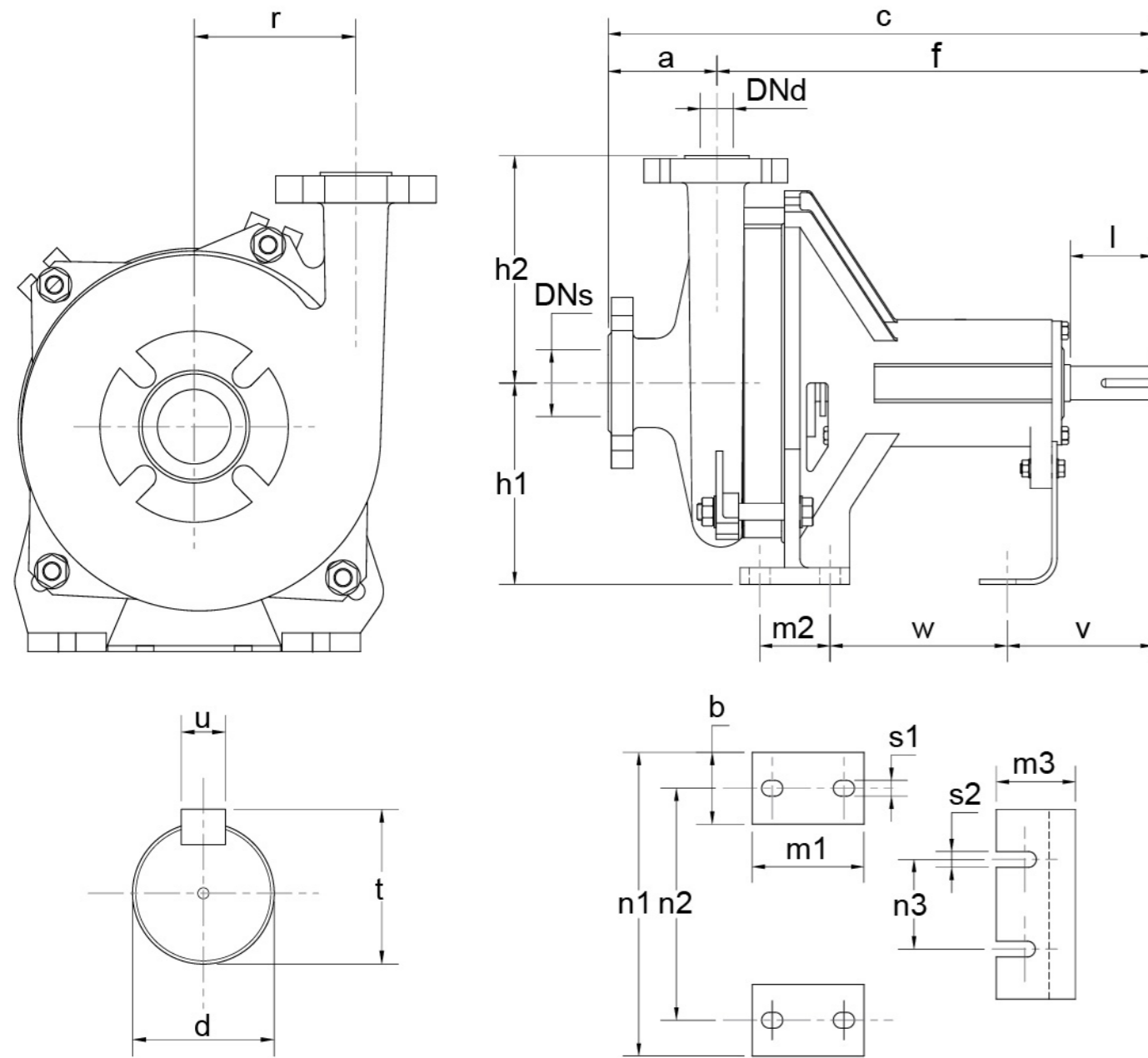
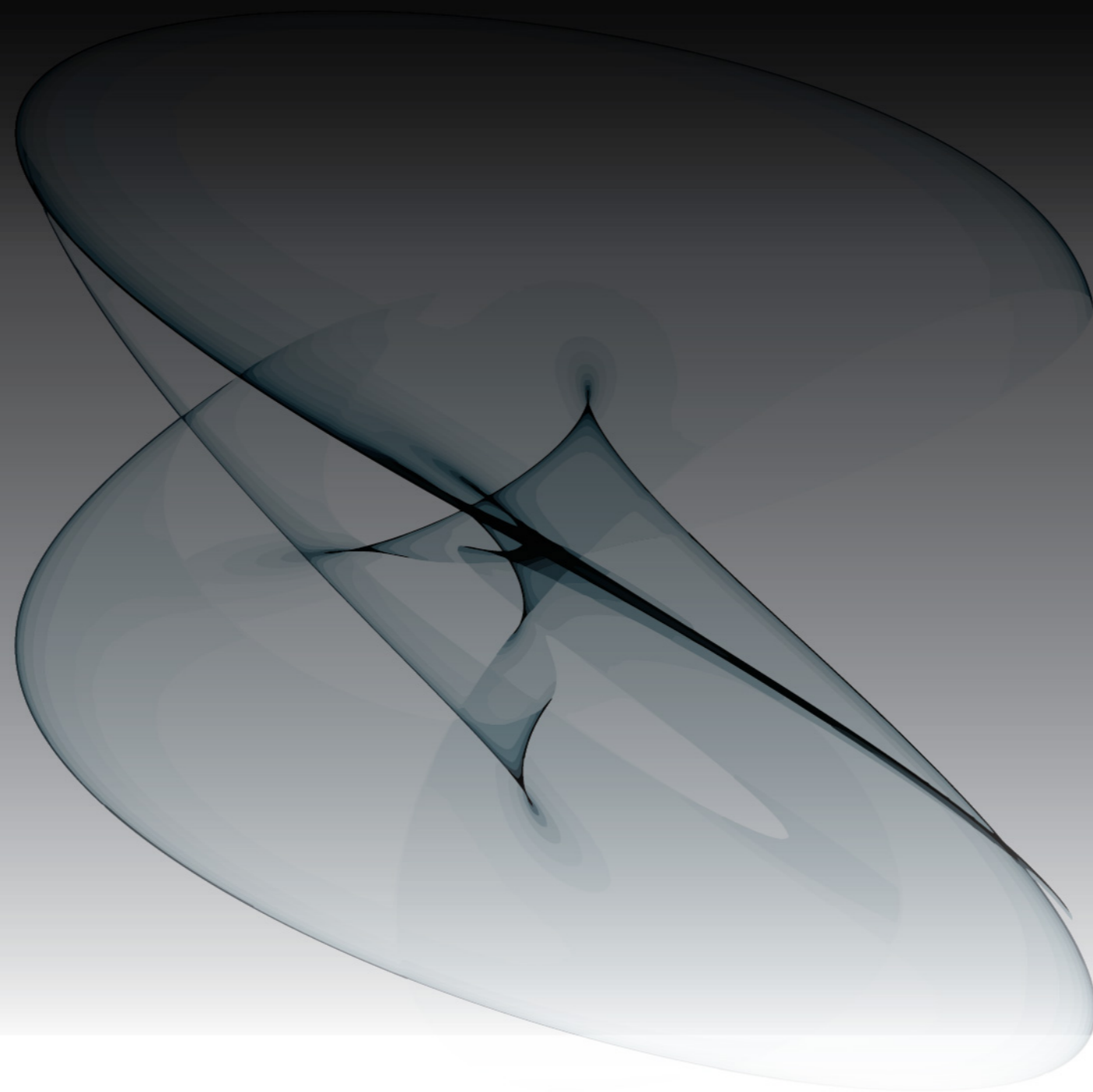


## GENERAL DIMENSION

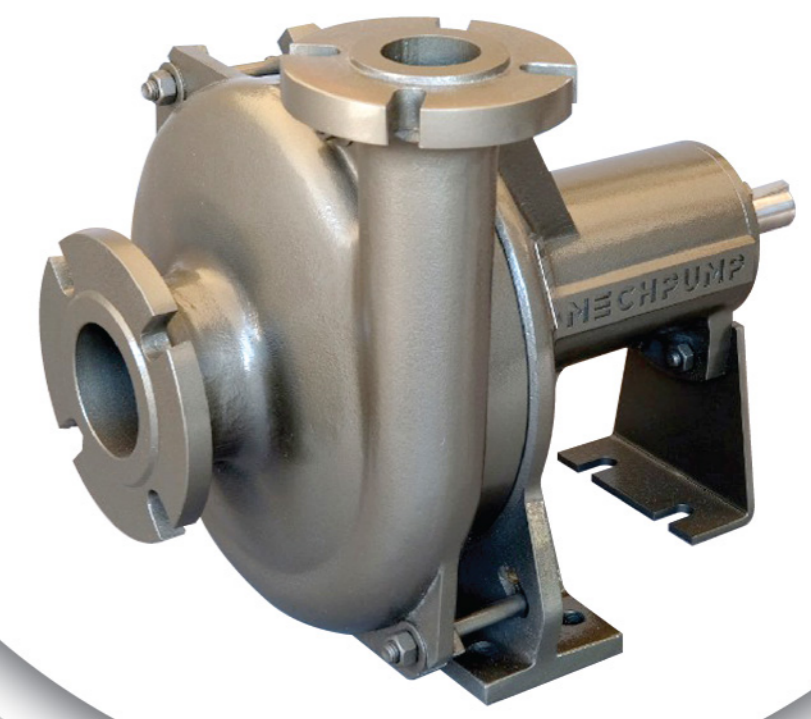


Pump Model	Flanges		Pump Dimension							Foot Mount Dimension							Shaft End						
	DNs	DNd	a	f	c	h1	h2	r	b	m1	m2	m3	n1	n2	n3	s1	s2	v	w	d	l	t	u
H Series	OBLT 1½H	50	32	111	399	510	192	217	140											32	80	35	10
	OBLT 2H	80	50	123	409	532		238	154														
	OBLT 3H	100	80	115	444	559	210	242	130				288	220									
	OBLT 4H	125	100	125	458	583		262	148														
L Series	OBLT 1½L	65	40	90	428	518		254	165	68	106	68	65		85	15	15	168	151	42	110	45	12
	OBLT 2L	80	50	120	437	557		256	163														
	OBLT 3L	100	80	115	460	575	230	260	161				378	310									
	OBLT 4L	125	100	155	472	627		280	167														

Note :  
 \*Product Specification subject to change without prior notice\*  
 \*Flange dimension according to ISO2084-PN16 (BS4504-1969 Table 16/11, DIN2501/PN16.)



# Black Whale



## Black Whale

### BLACK WHALE SOLID HANDLING PUMP



@gotrading GreatOrientalTrading 097-3619703