



figure **275**

ends form wafer type  
straight



GreatOrientalTrading  
www.gotrading.co.th



@gotrading



GreatOrientalTrading



097-3619703



## CHECK VALVE

body material	nominal pressure	nominal diameter	max. temperature
H brass	C 16 bar	DN 15-100	200°C
I stainless steel	E 40 bar	DN 15-300	300°C



### FEATURES

- compact settlement
- environment-friendly
- no maintenance

### APPLICATION

- hot and cold water plants
- low-pressure steam plants
- oil plants

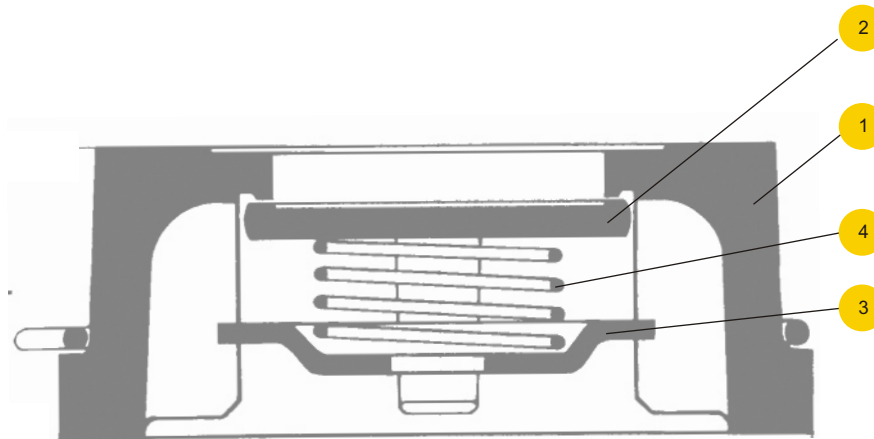
Data given can be changed without notice.

Edition 01/2011



figure	<b>275</b>
ends form	wafer type straight

## MATERIALS



	body material	H	I
	type	50	51
1	body	CuZn39Pb2	G-X6CrNiMo 18 10
2	disc	X6CrNiMoTi 17-12-2	X3CrNiMo 17-13-3
3	centring ring	X10CrNi 18-8	G-X6CrNiMo 18 10
4	spring	X6CrNiMoTi 17-12-2	X3CrNiMo 17-13-3
	max. temperature	200°C	300°C



figure

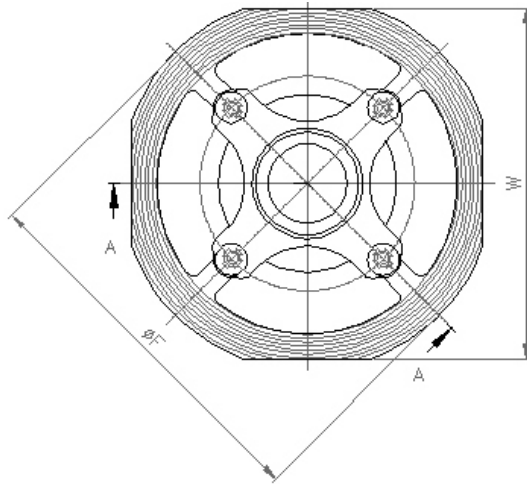
275

ends  
form

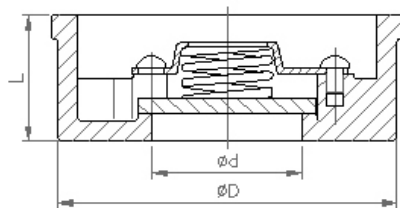
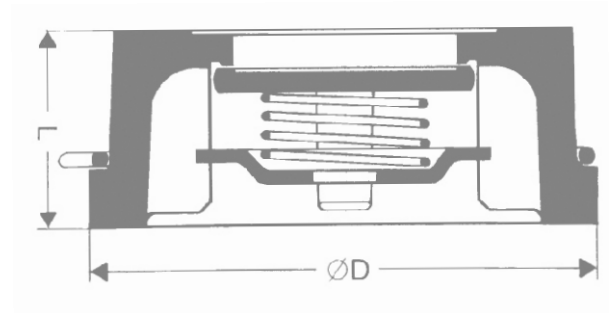
wafer type  
straight

## DIMENSIONS

type 275I



type 275H



DN	275I							275H			
	g	d	D	F	W	L		g	D	L	
mm	inch	mm					kg	inch			kg
15	G 1/2	15	43	53	43	16	0,1	G 1/2	40	16	0,1
20	G 3/4	20	53	63	53	19	0.16	G 3/4	47	19	0.13
25	G 1	25	63	173	63	22	0,28	G 1	56	22	0,21
32	G 1 1/4	30	75	84	75	28	0,52	G 1 1/4	72	28	0,48
40	G 1 1/42	38	80	94	80	32	0,70	G 1 1/42	82	32	0,63
50	G 2	47	95	107	95	40	1,1	G 2	95	40	1,0
65	G 2 1/2	62	115	126	115	46	1,58	G 2 1/2	115	46	1,5
80	G 3	77	131	145	131	50	1,78	G 3	132	50	2,0
100	G 4	96	150	164	150	60	3,3	G 4	152	60	3,2
125	G 5	119	180	190,5	190,5	90	8	-	-	-	-
150	G 6	141	209	219	219	106	12	-	-	-	-
200	G 8	190	272	282	282	140	22	-	-	-	-
250	G 10	225	317	317	317	145	35	-	-	-	-
300	G 12	280	369	380	380	160	45	-	-	-	-

Data given can be changed without notice.

Edition 01/2011



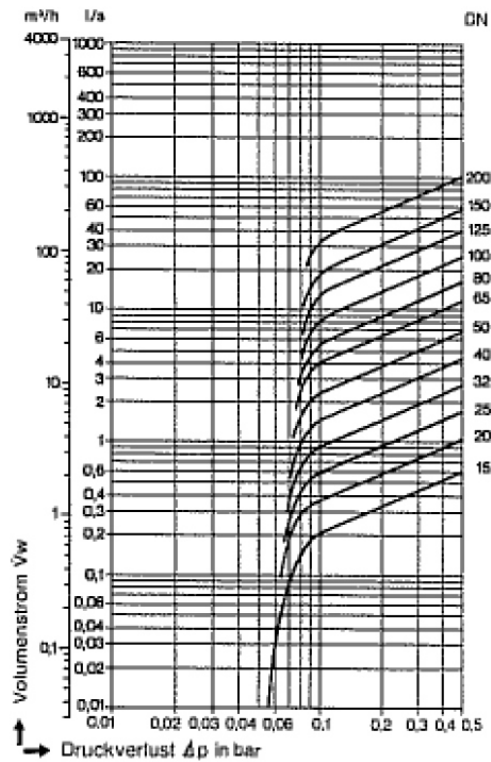
figure

275

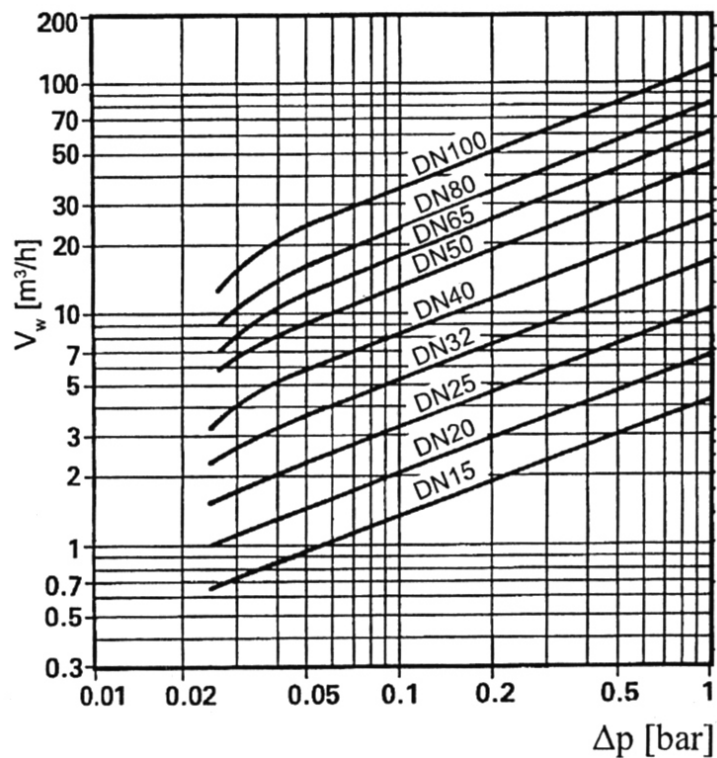
ends  
form

wafer type  
straight

### HYDRAULIC CHARACTERISTICS 275I



### HYDRAULIC CHARACTERISTICS 275H



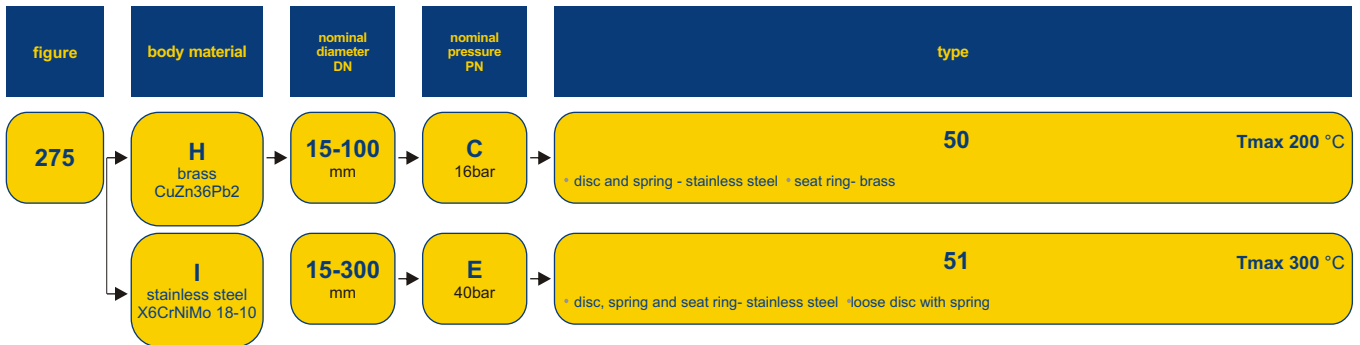
Data given can be changed without notice.

Edition 01/2011



**figure** **275**  
**ends form** **wafer type straight**

**TYPES**



**ORDERING**

To place an order please use our product number (index)



**ORDER EXAMPLE**

