

**figure 610**ends
formflanged
angleGreatOrientalTrading
www.gotrading.co.th

@gotrading

GreatOrientalTrading

097-3619703



FULL LIFT SAFETY VALVE zARMAK



body material	nominal pressure	nominal diameter	max. temperature	ex.index
A grey cast iron	C 16 bar	DN 20-150	300°C	6101 6101.11A
C nodular cast iron	E 40 bar	DN 20-100	350°C	6101S 6101S.11A
F cast steel	E 40 bar	DN 20-150	450°C	6102
F cast steel	F 63 bar	DN 20-400	450°C	6103
F cast steel	G 100 bar	DN 25-100	450°C	6104

*Detailed types of valves are listed on page 18

CE 0045 CE 1433

FEATURES

- flange dimension according to PN EN 1092
- valves made according to PN EN ISO 4126-1
- high tightness

For soft seal valves:

- quiet work of valve
- raised tightness of closure

APPLICATION

- industry
- heating
- power engineering
- refrigeration and air conditioning

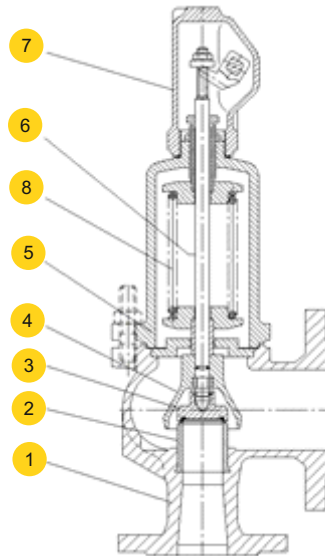
MEDIA

- steam
- compressed air
- neutral gases and steams



figure	610
ends form	flanged angle

MATERIALS PN16



	body material	A (PN16)	
		standard	with soft sealing disc
		01-1	01-2(3)
1	body	EN-GJL-250 5.1301	
2	seat	X39CrMo17-1 1.4122	
3	disc	X39CrMo17-1	X6CrNiTi18-10/EPDM or /NBR
4	lifting bell	EN-GJS-400-15 5.3106	
5	bonnet	EN-GJS-400-15 5.3106	
6	spindle	X20Cr13 1.4021	
7	lifting cap	EN-GJS-400-15 5.3106	
8	spring	51CrV4* 1.8159	
	temperature range	-10...300°C**	-10...120°C EPDM -10...90°C NBR

* Springs with wire diameter up to $\Phi 6$ of patent wire. Max. working temperature is 250°C

** For steam boilers are restrictions according to WUDT-UC-WO-M- it is 10 bar and 200°C.



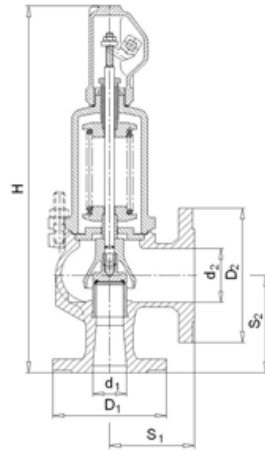
figure

610

ends
form

flanged
angle

DIMENSIONS PN16



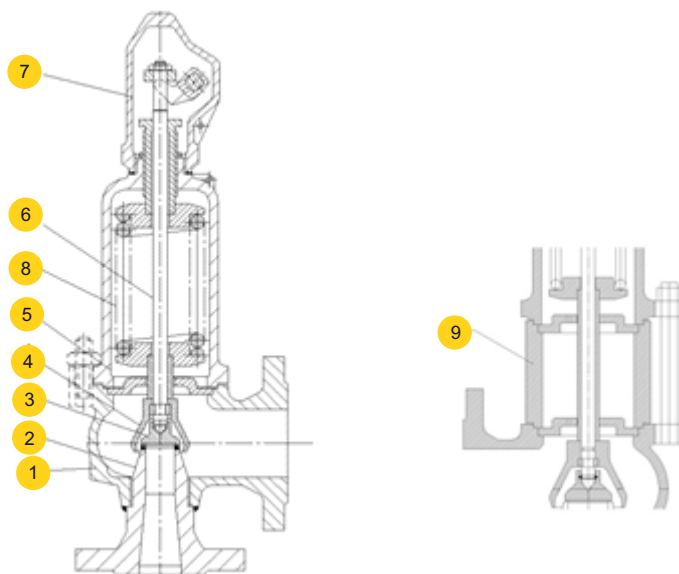
body material A (PN16)												
DN	d _o	A	D ₁	D ₂	S ₁	S ₂	H	standard 01-1		with soft sealing disc 01-2(3)		
								set pressure min max	set pressure min max	set pressure min max	set pressure min max	
d1xd2	mm	mm ²	mm									kg
20x32	16	201	105	140	85	95	345	0,45	16*	1	16	7,5
25x40	20	314	115	150	95	105	395	0,45	16*	1	16	9,0
32x50	25	491	140	165	100	110	420	0,45	16*	1	16	13,0
40x65	32	804	150	185	115	130	495	0,45	16*	1	16	19,0
50x80	40	1257	165	200	125	145	550	0,45	16*	1	16	25,0
65x100	50	1964	185	220	140	150	660	0,45	16*	1	16	37,0
80x125	63	3117	200	250	155	170	710	0,45	16*	1	16	52,0
100x150	77	4657	220	285	175	180	810	0,45	16*	1	16	77,0
125x200	93	6793	250	340	215	220	860	0,45	12,5*	-	-	90,0
150x250	110	9503	285	395	225	245	990	0,45	10	-	-	140,0

* For steam boilers are restrictions according to WUDT-UC-WO-M- it is 10 bar and 200°C



figure	610
ends form	flanged angle

MATERIALS PN40



	body material	C (PN40)		F (PN40)	
		standard	with soft sealing disc	standard	with soft sealing disc
		01-1	01-2(3)	01-1	01-2(3)
1	body	EN-GJS-400-18 5.3105		GP240GH 1.0619	
2	seat	X39CrMo17-1** 1.4122			
3	disc	X39CrMo17-1	X6CrNiTi18-10/EPDM or /NBR	X39CrMo17-1***	X6CrNiTi18-10/EPDM or /NBR
4	lifting bell	EN-GJS-400-15 5.3106			
5	bonnet	EN-GJS-400-15 5.3106		EN-GJS-400-15/GP240GH 5.3106/1.0619	EN-GJS-400-15 5.3106
6	spindle	X20Cr13 1.4021			
7	lifting cap	EN-GJS-400-15 5.3106			
8	spring	51CrV4* 1.8159			
9	insert	-----	-----	-----	P245GH 1.0352
	temperature range	-10...350°C	-10...120°C EPDM -10...90°C NBR	-10...400°C	-40...120°C

* Springs with wire diameter up to $\Phi 6$ of patent wire. Max. working temperature is 250°C

** For valves with body material F, welding stellite disc is possible

*** For valves with body material F, welding stellite seat is possible



figure

610

ends
form

flanged
angle

DIMENSIONS PN40

body material C (PN40)												
DN	d _o	A	D ₁	D ₂	S ₁	S ₂	H	standard 01-1		with soft sealing disc 01-2(3)		
								set pressure min	set pressure max	set pressure min	set pressure max	
d1xd2	mm	mm ²	mm					bar				kg
20x32	16	201	105	140	85	95	345	0,45	40	1	40	7,5
25x40	20	314	115	150	95	105	395	0,45	40	1	40	9,0
32x50	25	491	140	165	100	110	420	0,45	40	1	40	13,0
40x65	32	804	150	185	115	130	495	0,45	32	1	32	19,0
50x80	40	1257	165	200	125	145	550	0,45	32	1	32	25,0
65x100	50	1964	185	220	140	150	660	0,45	32	1	32	37,0
80x125	63	3117	200	250	155	170	710	0,45	25	1	25	52,0
100x150	77	4657	239	285	175	180	810	0,45	20	1	20	77,0

body material F (PN40)												
DN	d _o	A	D ₁	D ₂	S ₁	S ₂	H	H with insert	standard 01-1			
									set pressure min	set pressure max		
d1xd2	mm	mm ²	mm					bar		kg		
20x32	16	201	105	140	85	95	345	405	0,45	40	8,0	
25x40	20	314	115	150	95	105	395	465	0,45	40	10,0	
32x50	25	491	140	165	100	110	420	495	0,45	40	14,0	
40x65	32	804	150	185	115	130	495	585	0,45	32	20,0	
50x80	40	1257	165	200	125	145	550	655	0,45	40	27,0	
65x100	50	1964	185	220	140	150	660	770	0,45	40	39,0	
80x125	63	3117	200	250	155	170	710	840	0,45	40	55,0	
100x150	77	4657	235	285	175	180	810	955	0,45	32	82,0	
125x200	93	6793	270	340	215	220	860	970	0,45	40	100,0	
150x250	110	9503	300	395	225	245	990	-	0,45	40	155,0	

*For steam boilers are restrictions according to WUDT-UC-WO-M- it is 10 bar and 200°C

Data given can be changed without notice.

Edition 01/2016



figure	610
ends form	flanged angle

DISCHARGE COEFFICIENTS PN16 AND PN40

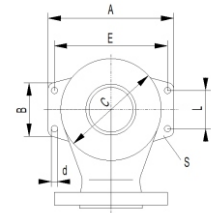
Body material: A, C, F
Standard type
Nominal pressure: PN16, PN40

Type of valve	DN	For vapours and gases Kdr	
		$b_1 = 0,1 \text{ bar}$ $(p \leq 1,0 \text{ bar})$ or $b_1 = 10\%$ $1 < p \leq 1,4 \text{ bar}$	$b_1 = 10\%$ $p > 1,4 \text{ bar}$
610	20 to 150	0,72	0,78

DIMENSIONS OF SUPPORT LUG PN16 AND PN40

Drill of supported lugs only onto client's request

Body material: F
All types
Nominal pressure: PN40

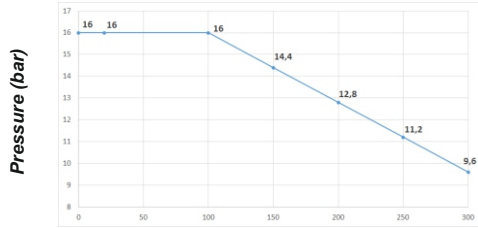


DN	A	B	C	L	E	d	s
	mm						
40 x 65	180	84	134	65	155	14	10
50 x 80	210	93	160	70	180	14	12
65 x 100	245	94	196	70	215	14	12
80 x 125	300	100	240	90	270	18	15
100 x 150	320	160	280	130	285	18	15
125 x 200	365	120	300	90	330	18	15
150 x 250	415	150	360	120	380	18	15

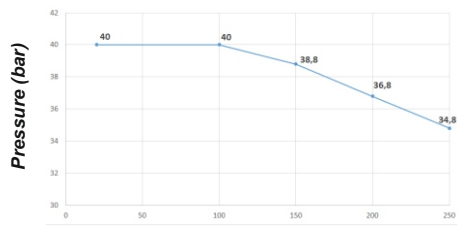


figure	610
ends form	flanged angle

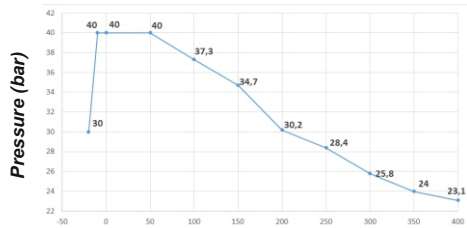
PRESSURE-TEMPERATURE RATINGS



Allowed working conditions range
PN16 EN-GJL-250 5.1301



Allowed working conditions range
PN40 EN-GJS-400-18 5.3105

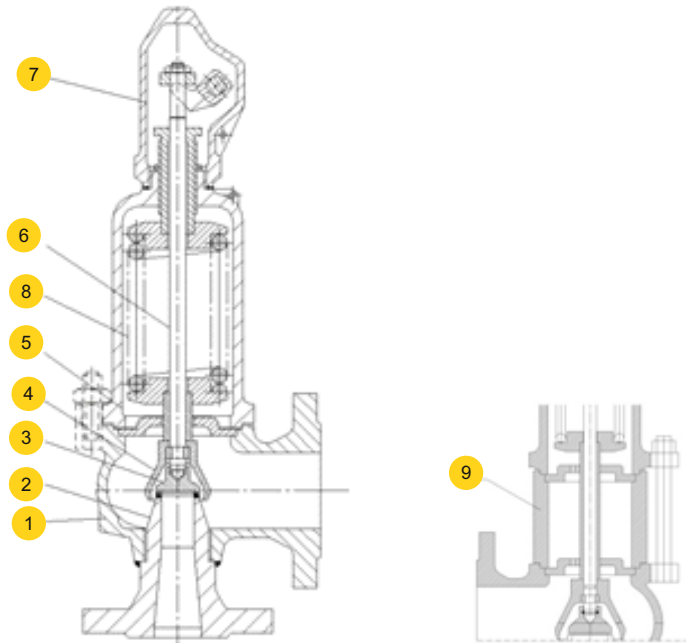


Allowed working conditions range
PN40 GP240GH 1.0619



figure	610
ends form	flanged angle

MATERIALS PN63 AND PN100



	body material	F (PN63 and PN100)
	type	standard
		01-1
1	body	GP240GH 1.0619
2	inlet nozzle	C22, P355N, 13CrMo4-5*, **** 1.0402, 1.0473, 1.7335
3	disc	X39CrMo17-1**, ***** 1.4122
4	lifting bell	EN-GJS-400-15*** 5.3106
5	bonnet	EN-GJS-400-15/GP240GH 5.3106/1.0619
6	spindle	X20Cr13 1.4021
7	lifting cap	EN-GJS-400-15*** 5.3106
8	spring	51CrV4 1.8159
9	insert	P245GH 1.0352
	temperature range	-40...400°C***

* Up DN 125 GP240GH

** Up DN 200 GX5CrNi19-10

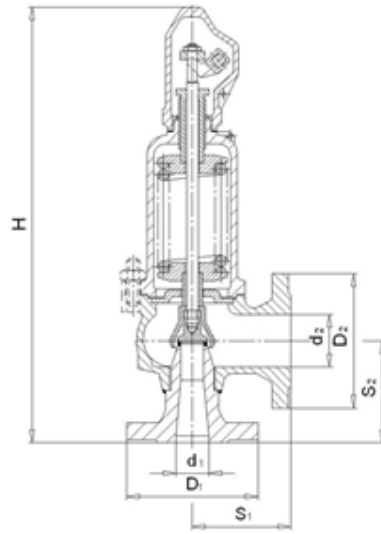
*** Up DN 200 GP240GH

**** For temperature under -10°C - nozzle material P355N

***** For valves with body material F, welding stellite seat is possible



DIMENSIONS PN63



body material F			standard type													
DN	d _o	A	D ₁			D ₂			S ₁	S ₂	H	H* with insert	drainhole	set pressure min max		
d1xd2	mm	mm ²	mm						mm				bar		kg	
			PN25	PN40	PN63	PN10	PN25	PN40								
20x32	16	201	105*	130			140		95	110	400	470	G $\frac{1}{4}$	38	62	12,0
25x40	20	314	115*	140			150		100	110	420	495	G $\frac{1}{4}$	38	62	14,0
32x50	25	491	140*	155			165		110	115	475	560	G $\frac{1}{4}$	38	62	20,0
40x65	32	804	150*	170			185		130	140	535	640	G $\frac{1}{4}$	30	50	28,0
50x80	40	1257	165*	180			200		145	150	650	760	G $\frac{1}{4}$	30	50	40,0
65x100	50	1964	185*	205			235		155	160	685	815	G $\frac{3}{8}$	30	50	50,0
80x125	63	3117	200*	215			270		190	180	790	935	G $\frac{3}{8}$	23	40	80,0
100x150	77	4657	235*	250			300		210	200	940	- ***	G $\frac{3}{8}$	18	32	130,0
125x200	93	6793	270*	295	340	360			215	220	980	G $\frac{1}{2}$	G $\frac{1}{2}$	12	25	150,0
150x250	110	9503	300			405**			225	245	1020	G $\frac{1}{2}$	G $\frac{1}{2}$	9,5	16	180,0
200x300	155	18870	360			445			265	290	1210	-***	G $\frac{3}{4}$	0,45	10	300,0
300x400	220	38010	485			565			335	370	1480	-***	G $\frac{3}{4}$	0,3	7	470,0
400x500	280	61575	620			670			375	415	1650	-***	G $\frac{3}{4}$	0,25	4,5	550,0

For temperatures above 350°C **type with insert** is recommended
 * If the set pressure make it possible - in coordination with the ordering side
 ** Drill of outlet flange for PN16
 *** Type with insert for DN>80, after coordination with manufacturer



figure	610
ends form	flanged angle

DISCHARGE COEFFICIENTS PN63

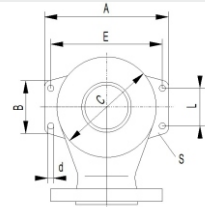
Body material: F
Standard type
Nominal pressure: PN63

Type of valves	DN	For vapours and gases Kdr	
		$b_1 = 0,1 \text{ bar}$ $(p \leq 1,0 \text{ bar})$ or $b_1 = 10\%$ $1 < p \leq 1,4 \text{ bar}$	$b_1 = 10\%$ $p > 1,4 \text{ bar}$
610	20 to 150	–	0,78
	200	0,70	0,74
	300	0,54	0,70
	400		

DIMENSIONS OF SUPPORT LUG PN63

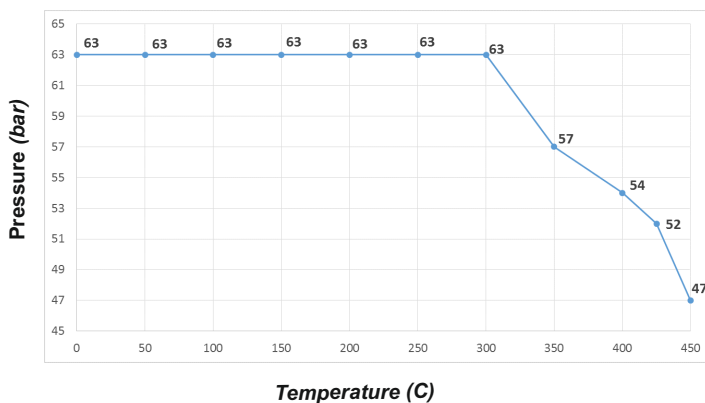
Drill of supported lugs only onto client's request

Body material: F
All types
Nominal pressure: PN63



DN	A	B	C	L	E	d	s
	mm						
40 x 65	186	93	140	70	156	14	12
50 x 80	210	95	165	70	180	14	12
65 x 100	250	95	205	70	220	14	12
80 x 125	295	120	240	90	260	18	15
100 x 150	320	120	265	90	285	18	15
125 x 200	365	120	300	90	330	18	15
150 x 250	415	150	360	120	380	18	15
200 x 300	510	180	450	150	470	23	20
300 x 400	695	210	600	180	655	23	20
400 x 500	800	230	715	200	760	23	20

PRESSURE-TEMPERATURE RATINGS PN63



Allowed working conditions range
PN63 13CrMo4-5 1.7335



figure

610

ends
formflanged
angle

DIMENSIONS PN100

body material F, PN100														
DN	d _o	A	D ₁			D ₂			S ₁	S ₂	H	H with insert	set pressure min max	
d1xd2	mm	mm ²	mm			mm			mm		bar		kg	
			PN63	PN100	PN40									
25x40	16	201	-	140	150	100	120	430	505	60	95	15,0		
32x50	20	314	-	155	165	110	125	485	570	60	95	20,0		
40x65	25	491	-	170	185	130	140	535	640	48	95	28,0		
50x80	32	804	-	195	200	145	150	650	760	48	95	40,0		
65x100	40	1257	-	220	235	155	165	685	812	48	95	50,0		
80x125	50	1964	-	230	270	190	185	795	940	38	78	80,0		
100x150	63	3117	250	-	300	210	200	940	-*	30	62	130,0		

* If the set pressure make it possible - in coordination with the ordering side
For temperatures above 350°C **type with insert** is recommended

DISCHARGE COEFFICIENTS PN100

Body material: F
All types
Nominal pressure: PN100

Type of valves	DN	For vapours and gases Kdr
		b ₁ = 10%
630	25 to 100	0,78

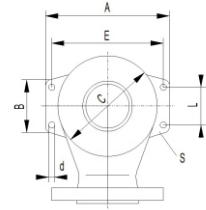


figure	610
ends form	flanged angle

DIMENSIONS OF SUPPORT LUG PN100

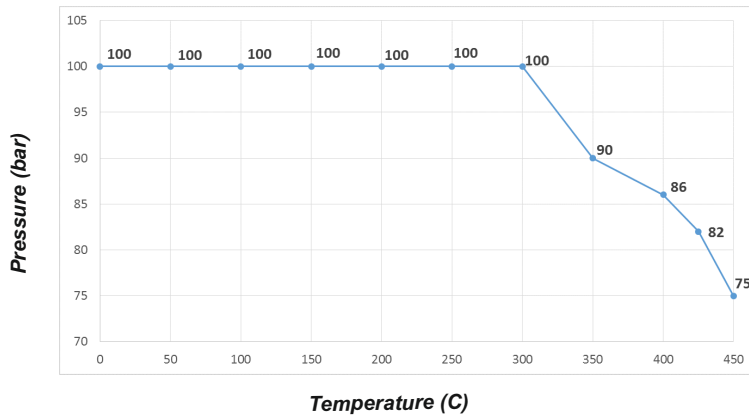
Drill of supported lugs only onto client's request

Body material: F
All types
Nominal pressure: PN100



DN	A	B	C	L	E	d	s
	mm						
40 x 65	186	93	140	70	156	14	12
50 x 80	210	95	165	70	180	14	12
65 x 100	250	95	205	70	220	14	12
80 x 125	295	120	240	90	260	18	15
100 x 150	320	120	265	90	285	18	15

PRESSURE-TEMPERATURE RATINGS PN100



Allowed working conditions range
PN100 13CrMo4-5 1.7335



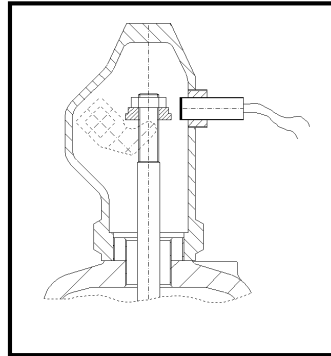
figure **610**

ends
form

flanged
angle

BASIC DATA OF SENSOR

- Working range [mm] 3 (M8); 6 (M12); 10 (M18)
- Supply voltage [V] 10 + 30 DC
- Protection grade IP67 (M8); IP68 (M12 and M18)
- Working temperature -25 + +70°C
- Standard length of cable [mm] 2000
- The other executions of sensor for special order after co-ordination with manufacturer.
- Onto client's wish are used sensors working in range of temperature: -25 + +230°C



NOTES

- If condensate accumulates, the blow-out installation should be drainholed in the lowest point. The drainhole in valve's body is made only on special request of the client. In case of liquids, the blow-out installation should be inclined.
- The valve should be mounted in vertical position.



figure

610

ends
form

flanged
angle

CAPACITY TABLE FOR AIR

DNxDN PN100	25x40	32x50	40x65	50x80	65x100	80x125	100x150						
DNxDN PN16, PN40, PN63	20x32	25x40	32x50	40x65	50x80	65x100	80x125	100x150	125x200	150x250	200x300	300x400	400x500
A- bore area [mm ²]	16	20	25	32	40	50	63	77	93	110	155	220	280
Set pressure bar(g)	Air 20°C (kg/h)												
0,45	185	289	451	739	1156	1806	2866	4281	6245	8737	16 866	26 208	42 457
0,5	193	301	471	771	1205	1883	2988	4464	6512	9110	17 587	27 328	44 270
0,55	200	313	489	801	1252	1956	3105	4639	6766	9466	18 274	28 396	46 001
0,6	207	324	507	830	1297	2027	3217	4806	7010	9807	18 933	29 419	47 659
0,7	221	345	540	884	1382	2160	3428	5121	7470	10 450	20 174	31 348	50 783
0,8	234	365	571	935	1461	2283	3624	5414	7898	11 049	21 330	33 144	53 693
0,9	246	384	601	984	1538	2404	3815	5699	8314	11 630	22 452	34 889	56 519
1	258	404	631	1033	1615	2524	4005	5984	8729	12 212	23 575	36 633	59 344
1,1	272	425	664	1087	1700	2656	4215	6298	9186	12 851	24 810	38 552	62 453
1,2	285	446	697	1141	1785	2788	4425	6611	9644	13 491	26 045	40 471	65 562
1,3	299	467	730	1196	1869	2920	4635	6925	10 101	14 131	27 280	42 390	68 670
1,4	312	488	763	1250	1954	3053	4845	7238	10 558	14 770	28 515	44 309	71 779
1,6	368	575	898	1471	2300	3593	5703	8521	12 429	17 387	32 755	62 412	101 105
1,8	397	620	970	1588	2483	3880	6158	9200	13 419	18 773	35 366	67 387	109 165
2	426	666	1042	1706	2667	4166	6612	9879	14 410	20 159	37 977	72 362	117 224
2,2	456	712	1113	1823	2850	4453	7067	10 558	15 401	21 545	40 588	77 337	125 283
2,4	485	758	1185	1940	3033	4739	7521	11 237	16 392	22 931	43 198	82 311	133 342
2,6	514	803	1256	2057	3216	5026	7976	11 917	17 382	24 317	45 809	87 286	141 401
2,8	544	849	1328	2175	3400	5312	8431	12 596	18 373	25 703	48 420	92 261	149 460
3	573	895	1400	2292	3583	5598	8885	13 275	19 364	27 089	51 031	97 236	157 519
3,5	646	1010	1579	2585	4041	6315	10 022	14 973	21 840	30 553	57 558	109 673	177 667
4	720	1124	1758	2878	4500	7031	11 158	16 671	24 317	34 018	64 086	122 110	197 815
4,5	793	1239	1937	3171	4958	7747	12 295	18 369	26 794	37 483	70 613	134 548	217 963
5	866	1353	2116	3464	5416	8463	13 431	20 067	29 271	40 948	77 140	146 985	
5,5	939	1467	2295	3758	5875	9179	14 567	21 765	31 747	44 413	83 667	159 422	
6	1013	1582	2474	4051	6333	9895	15 704	23 463	34 224	47 878	90 195	171 859	

Capacity calculated at overpressure 0,1 bar or 10%

Data given can be changed without notice.

Edition 01/2016



figure

610

ends
form

flanged
angle

CAPACITY TABLE FOR AIR

DNxDN PN100	25x40	32x50	40x65	50x80	65x100	80x125	100x150						
DNxDN PN16, PN40, PN63	20x32	25x40	32x50	40x65	50x80	65x100	80x125	100x150	125x200	150x250	200x300	300x400	400x500
A- bore area [mm ²]	16	20	25	32	40	50	63	77	93	110	155	220	280
Set pressure bar(g)	Air 20°C (kg/h)												
6,5	1086	1696	2653	4344	6791	10 611	16 840	25 161	36 701	51 342	96 722	184 296	
7	1159	1811	2832	4637	7250	11 327	17 977	26 859	39 178	54 807	103 249	196 733	
8	1306	2040	3190	5223	8166	12 759	20 250	30 254	44 131	61 737	116 303		
9	1452	2269	3548	5810	9083	14 191	22 523	33 650	49 085	68 666	129 358		
10	1599	2498	3906	6396	9999	15 624	24 796	37 046	54 038	75 596	142 412		
11	1746	2727	4264	6982	10 916	17 056	27 069	40 442	58 992	82 526			
12	1892	2956	4622	7568	11 833	18 488	29 342	43 838	63 945	89 455			
14	2185	3414	5338	8741	13 666	21 352	33 887	50 630	73 852	103 315			
16	2478	3872	6054	9913	15 499	24 217	38 433	57 422	83 759	117 174			
18	2772	4330	6770	11 086	17 332	27 081	42 979	64 214	93 666				
20	3065	4788	7486	12 259	19 166	29 945	47 525	71 005	103 573				
23	3504	5474	8560	14 017	21 915	34 242	54 344	81 193	118 434				
25	3798	5932	9276	15 190	23 749	37 106	58 890	87 985	128 341				
30	4530	7077	11 067	18 121	28 332	44 267	70 254	104 965					
32	4823	7535	11 783	19 294	30 165	47 131	74 800	111 756					
38	5703	8909	13 931	22 812	35 665	55 724	88 438						
40	5996	9367	14 647	23 984	37 498	58 588	92 984						
45	6729	10 512	16 437	26 916	42 081	65 749	104 348						
50	7462	11 657	18 227	29 847	46 664	72 910	115 713						
55	8195	12 802	20 018	32 778	51 247	80 071	127 078						
62	9221	14 404	22 524	36 882	57 663	90 096	142 988						
65	9660	15 091	23 598	38 641	60 413	94 392							
70	10 393	16 236	25 388	41 573	64 996	101 553							
78	11 566	18 068	28 253	46 263	72 329	113 010							
86	12 738	19 900	31 117	50 953	79 662								
95	14 057	21 960	34 339	56 230	87 911								

Capacity calculated at overpressure 0,1 bar or 10%



figure

610

ends
form

flanged
angle

CAPACITY TABLE FOR SATURATED STEAM

DNxDN PN100	25x40	32x50	40x65	50x80	65x100	80x125	100x150						
DNxDN PN16, PN40, PN63	20x32	25x40	32x50	40x65	50x80	65x100	80x125	100x150	125x200	150x250	200x300	300x400	400x500
A- bore area [mm ²]	16	20	25	32	40	50	63	77	93	110	155	220	280
Set pressure bar(g)	Saturated steam (kg/h)												
0,45	115	180	282	461	721	1127	1788	2672	3897	5452	10 525	16 355	26 494
0,5	120	187	293	479	749	1171	1858	2777	4050	5666	10 938	16 997	27 534
0,55	124	194	304	497	777	1214	1927	2879	4199	5875	11 342	17 624	28 550
0,6	129	201	314	514	804	1257	1994	2980	4347	6081	11 739	18 241	29 550
0,7	137	215	336	550	859	1343	2131	3184	4644	6497	12 543	19 491	31 574
0,8	147	230	359	588	919	1436	2280	3406	4968	6950	13 417	20 849	33 775
0,9	158	246	385	630	985	1540	2444	3651	5326	7450	14 383	22 350	36 206
1,0	164	256	401	656	1026	1603	2545	3802	5546	7758	14 977	23 273	37 702
1,1	171	268	419	686	1072	1675	2659	3972	5794	8106	15 649	24 317	39 392
1,2	179	280	437	716	1120	1749	2776	4148	6051	8465	16 341	25 393	41 135
1,3	187	292	457	748	1169	1826	2898	4330	6316	8836	17 058	26 506	42 940
1,4	195	305	476	780	1220	1906	3025	4519	6592	9221	17 802	27 663	44 813
1,6	230	360	562	921	1439	2249	3569	5332	7778	10 881	20 497	39 056	63 270
1,8	251	392	613	1004	1569	2452	3891	5813	8480	11 863	22 347	42 581	68 981
2,0	268	418	654	1071	1674	2615	4150	6201	9045	12 654	23 838	45 421	73 581
2,2	285	445	695	1138	1780	2781	4413	6594	9618	13 456	25 349	48 300	78 244
2,4	303	473	739	1210	1892	2956	4691	7009	10 224	14 303	26 944	51 340	83 170
2,6	322	502	786	1286	2011	3142	4987	7451	10 868	15 204	28 642	54 576	88 411
2,8	340	532	831	1361	2128	3326	5278	7885	11 502	16 091	30 313	57 759	93 568
3	357	558	872	1428	2233	3489	5537	8273	12 067	16 881	31 802	60 596	98 164
3,5	402	628	982	1609	2515	3929	6236	9317	13 591	19 012	35 817	68 246	110 557
4	446	697	1090	1784	2790	4359	6918	10 336	15 077	21 092	39 734	75 710	122 647
4,5	492	768	1201	1967	3075	4805	7626	11 393	16 619	23 249	43 798	83 454	135 193
5	535	835	1306	2139	3344	5225	8292	12 389	18 072	25 282	47 627	90 750	
5,5	580	906	1417	2320	3627	5667	8993	13 437	19 600	27 419	51 653	98 421	
6,0	623	973	1521	2491	3895	6086	9658	14 430	21 049	29 446	55 473	105 699	

Capacity calculated at overpressure 0,1 bar or 10%



figure

610

ends
form

flanged
angle

CAPACITY TABLE FOR SATURATED STEAM

DNxDN PN100	25x40	32x50	40x65	50x80	65x100	80x125	100x150						
DNxDN PN16, PN40, PN63	20x32	25x40	32x50	40x65	50x80	65x100	80x125	100x150	125x200	150x250	200x300	300x400	400x500
A- bore area [mm ²]	16	20	25	32	40	50	63	77	93	110	155	220	280
Set pressure bar(g)	Saturated steam (kg/h)												
6,5	667	1042	1630	2669	4173	6520	10 348	15 461	22 553	31 550	59 436	113 250	
7	711	1110	1736	2843	4445	6945	11 021	16 467	24 019	33 602	63 301	120 615	
8	798	1247	1950	3193	4993	7801	12 381	18 498	26 982	37 746	71 108		
9	886	1384	2165	3545	5542	8659	13 742	20 531	29 948	41 896	78 926		
10	974	1521	2378	3894	6089	9513	15 098	22 558	32 904	46 031	86 716		
11	1060	1657	2590	4242	6631	10 361	16 444	24 568	35 837	50 134			
12	1147	1792	2802	4588	7173	11 208	17 787	26 575	38 764	54 229			
14	1321	2063	3227	5283	8260	12 906	20 483	30 603	44 639	62 447			
16	1494	2334	3650	5976	9344	14 599	23 169	34 616	50 494	70 638			
18	1668	2605	4074	6671	10 429	16 295	25 861	38 638	56 360				
20	1842	2877	4499	7366	11 517	17 995	28 559	42 669	62 239				
23	2101	3282	5132	8403	13 138	20 527	32 578	48 673	70 998				
25	2275	3553	5556	9098	14 224	22 225	35 272	52 699	76 871				
30	2711	4235	6622	10 843	16 953	26 488	42 038	62 808					
32	2884	4506	7046	11 538	18 038	28 184	44 730	66 830					
38	3407	5322	8322	13 627	21 305	33 288	52 830						
40	3583	5597	8752	14 331	22 406	35 008	55 560						
45	4026	6289	9834	16 102	25 175	39 334	62 426						
50	4462	6971	10 900	17 848	27 905	43 600	69 196						
55	4913	7675	12 001	19 651	30 723	48 003	76 184						
62	5532	8643	13 515	22 130	34 598	54 058	85 794						
65	5795	9053	14 156	23 181	36 242	56 626							
70	6247	9758	15 259	24 986	39 064	61 036							
78	6971	10 891	17 029	27 885	43 597	68 118							
86	7698	12 026	18 806	30 794	48 144								
95	8540	13 341	20 862	34 161	53 408								

Capacity calculated at overpressure 0,1 bar or 10%



figure	610
ends form	flanged angle

TYPES

figure	body material	nominal diameter DN	nominal pressure PN	type	CE
610	A nodular cast iron EN-GJL-250	20-150 mm	C 16 bar	01-1 Tmax 300 °C • normal type for gases and vapours • sealing metal/metal	0045
				01-2 Tmax 90 °C • normal type for gases and vapours • sealing disc NBR R	0045
				01-3 Tmax 120 °C • normal type for gases and vapours • sealing disc EPDM	0045
	C nodular cast iron EN-GJS-400-18-LT	20-100 mm	E 40 bar	01-1 Tmax 350 °C • normal type for gases and vapours • sealing metal/metal	0045
				01-2 Tmax 90 °C • normal type for gases and vapours • sealing disc NBR	0045
				01-3 Tmax 120 °C • normal type for gases and vapours • sealing disc EPDM	0045
	F cast steel GP240GH	20-150 mm	E 40 bar	01-1 Tmax 450 °C • normal type for gases and vapours • sealing metal/metal	0045
		20-400 mm	F 63 bar	01-1 Tmax 450 °C • normal type for gases and vapours • sealing metal/metal	0045
		20-100 mm	G 100 bar	01-1 Tmax 450 °C • normal type for gases and vapours • sealing metal/metal	1433



figure	610
ends form	flanged angle

ORDERING

To place an order please use our product number (index)



ORDER EXAMPLE

