



GSD Industrial Co.,Ltd.



GreatOrientalTrading  
www.gotrading.co.th



@gotrading



GreatOrientalTrading



097-3619703

# GRB Series

GRB three-lobe roots blower



GRB roots blower series is a positive displacement blower which can be utilizing in a wide range of applications. Equipped with three lobe rotors type, GRB roots blower provide an excellent air output stability while generated low noise level and low vibration during operating. Additional accessories also available for installation including silencer, flexible joint, etc.

## Application

Industry	Process
<ul style="list-style-type: none"> <li>Wastewater treatment</li> </ul>	Aeration
<ul style="list-style-type: none"> <li>Brewery and beverage industry</li> </ul>	Cleaning process
<ul style="list-style-type: none"> <li>Fire extinguisher</li> </ul>	Spraying fire-resistant material
<ul style="list-style-type: none"> <li>Fishery</li> </ul>	Aeration
<ul style="list-style-type: none"> <li>Incinerator</li> </ul>	Increase oxygen to promote combustion
<ul style="list-style-type: none"> <li>Fermenting plant</li> </ul>	Increase oxygen to promote fermentation
<ul style="list-style-type: none"> <li>Car washing</li> </ul>	Cleaning agent spraying
<ul style="list-style-type: none"> <li>Pipe clearing</li> </ul>	Pipe flushing
<ul style="list-style-type: none"> <li>Paper mill</li> </ul>	Drying process
<ul style="list-style-type: none"> <li>Electroplate factory</li> </ul>	Stirring gas in liquid
<ul style="list-style-type: none"> <li>Sauna</li> </ul>	Air circulation system
<ul style="list-style-type: none"> <li>Pneumatic conveying</li> </ul>	Material conveying

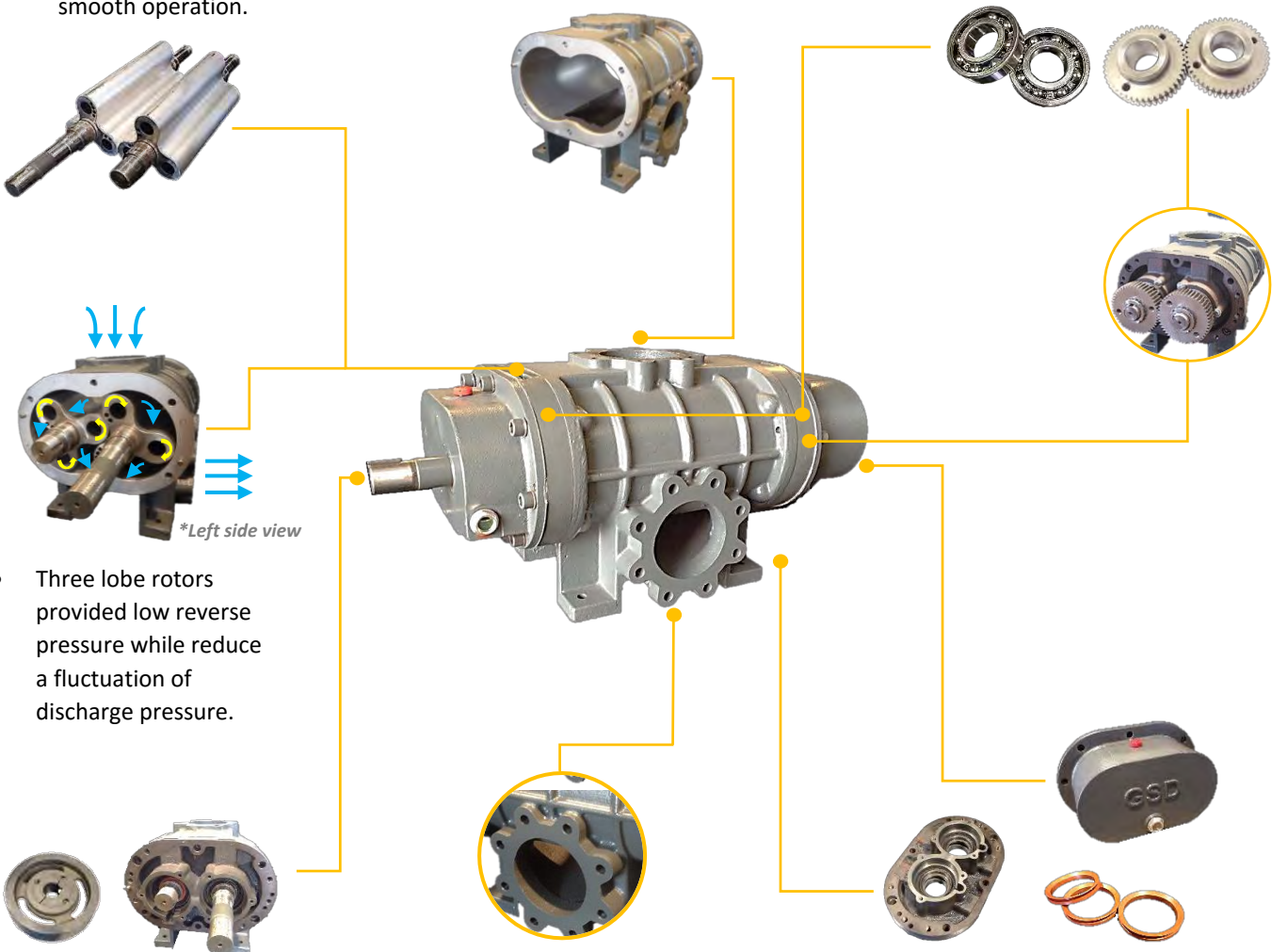


*\*Sample Models*



## Features

- Rotors are machined from a cast iron with three lobe type designed for large volume of air output and steady airflow rate with precisely balance for smooth operation.
- Rigid and high-strength body casing is machined from a single piece of cast iron for durability, stability and accurate rotating between rotors.
- Timing gear and single row ball bearing type are installed in an enclose oil reservoir and lubricated by oil splash system to reduce friction tolerance.



- Three lobe rotors provided low reverse pressure while reduce a fluctuation of discharge pressure.

- Extended drive shaft is made by high-strength steel for utilizing with V-belt drive installation.
- Available in 15 different sizes.
  - Diameter: 40 – 400 mm
  - Capacity: 0.63 – 283 m<sup>3</sup>/min
  - Pressure: One-stage type, up to 8,000 mmAq (0.8 kgf/cm<sup>2</sup>)
- Oil reservoir and bearing socket are equipped with NBR oil seal and Viton® V-ring to ensure an oil-free air output as well as provided a maximum seal life during continuous high temperature operation.

## Model Description

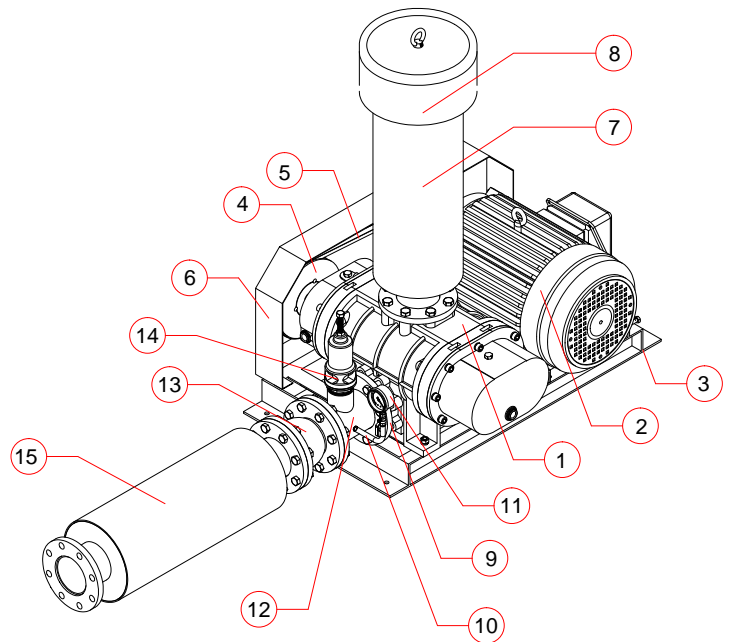
### GRB - 40



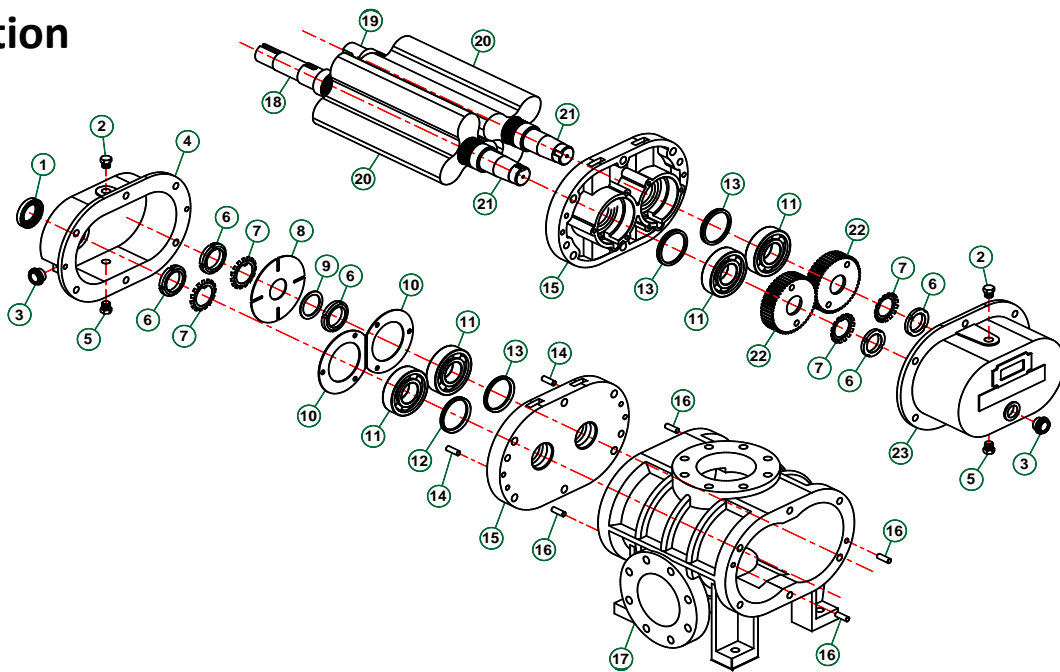


## External construction

NO.	Part List	MATERIAL
1	Blower main body	FC250
2	Motor	Refer to MFR
3	Steel base	SS400
4	Pulley	FC250
5	Drive V-belt	Refer to MFR
6	Belt cover	SS400
7	In-let silencer	SS400
8	Rain cover	SS400
9	Check valve	SS400
10	Gauge pipe	SS400
11	Pressure gauge	Refer to MFR
12	T-Joint	SS400
13	Flexible joint	SS400 + EPDM
14	Safety valve	FC250
15	Out-let silencer	SS400



## Construction



NO.	NAME	MATERIAL	Q'TY	NO.	NAME	MATERIAL	Q'TY
1	TC Oil seal	NBR	1	13	V-ring	Viton	3
2	Lubricant plug	ABS	2	14	Positioning pins	S45C	2
3	Oil sight window	Glass	2	15	Bearing case	FC250	2
4	Oil reservoir	FC250	1	16	Positioning pins	S45C	4
5	Purge plug	S45C	2	17	Blower casing	FC250	1
6	Locking nuts	S45C	5	18	Drive shaft	SCM440	1
7	Lock washer	S45C	4	19	Driven shaft	SCM440	1
8	Oil thrower	SS400	1	20	Rotors	FC250	2
9	Oil thrower washer	SS400	1	21	Gear Shaft	SCM440	2
10	Bearing fixtures	SS400	2	22	Timing gears	SNCM220	2
11	Bearings	SUJ2	4	23	Oil reservoir	FC250	1
12	TC Oil seal	NBR	1				

## Conversion table

Pressure	atm	kPa	bar	lbt/in <sup>2</sup> (psi)	kgf/cm <sup>2</sup>	in Hg	ftAq	mmHg(Torr)	mmAq
1 atm	1	101.325	1.01325	14.696	1.0333	29.921	33.914	760	10333
1 kPa	0.0099	1	0.01	0.145	0.0102	0.295	0.335	7.5	102
1 bar	0.9869	100	1	14.504	1.0198	29.53	33.47	750	10198
1 lbt/in <sup>2</sup> (psi)	0.068	6.894	0.0689	1	0.0703	2.036	2.308	51.71	703
1 kgf/cm <sup>2</sup>	0.968	98.062	0.981	14.228	1	28.96	32.82	735.53	10000
1 inHg	0.0334	3.3863	0.0339	0.491	0.0345	1	1.133	25.4	345.3
1 ftAq	0.0295	2.99	0.0299	0.434	0.0305	0.882	1	22.42	304.8
1 mmHg(Torr)	0.013	0.1338	0.00138	0.019	0.0014	0.04	0.045	1	13.6
1 mmAq	0.000097	0.0098	0.000098	0.0014	0.0001	0.003	0.0033	0.074	1

Capacity	m <sup>3</sup> /min	l/min	cm <sup>3</sup> /s	in <sup>3</sup> /s	ft <sup>3</sup> /min(cfm)
1 m <sup>3</sup> /min	1	1000	16667	1016	35.288
1 l/min	0.001	1	16.67	1.02	0.0353
1 cm <sup>3</sup> /s	0.00006	0.06	1	0.061	0.002
1 in <sup>3</sup> /s	0.00098	0.983	16.39	1	0.035
1 ft <sup>3</sup> /min(cfm)	0.028	28.32	471.95	28.8	1

Pressure Conversion Formula

1 kPa=1000Pa=1000N/m<sup>2</sup>

1mbar=10.198mmAq 1mmHg

(Torr)=133.8Pa

## Working directions of performance table

1. The performance table indicate the model, diameter, speed (RPM), discharge pressure, actual inlet air capacity and shaft power of the blower.
2. The performance table indicate the air quantity in standard suction condition (20°C temperature, absolute pressure 1.0332 kgf/cm<sup>2</sup> and relative humidity 65%) .
3. The reference air capacity (0°C temperature and absolute pressure 1.0332kgf/cm<sup>2</sup>) is generally indicated in Nm<sup>3</sup>/min.

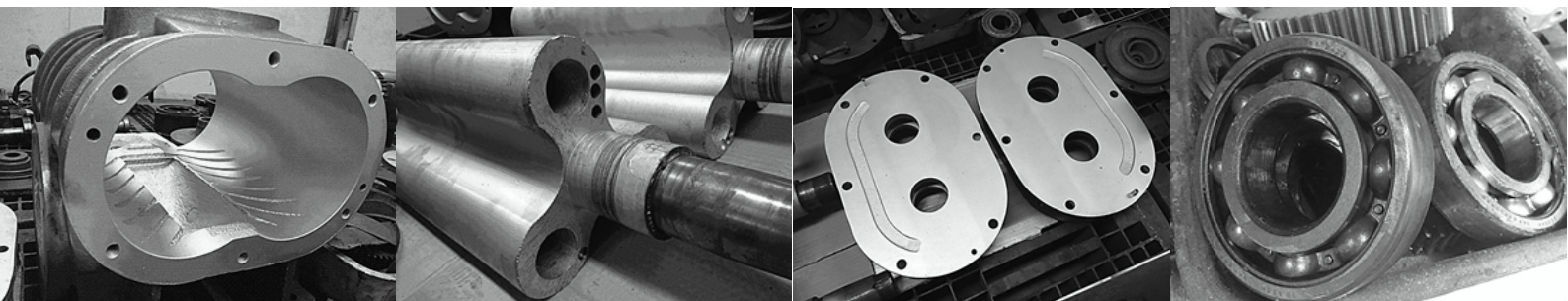
4. The outlet air capacity can be converted as following.

$$Q_2 = Q_1 \times \frac{P_1}{P_2} \times \frac{273+T_2}{273+T_1}$$

Q<sub>1</sub>: Air capacity (m<sup>3</sup>/min) based on absolute pressure P<sub>1</sub>(mmAq) and temperature T<sub>1</sub>(°C)

Q<sub>2</sub>: Air capacity (m<sup>3</sup>/min) based on absolute pressure P<sub>2</sub>(mmAq) and temperature T<sub>2</sub>(°C)

5. Select motor rated output with 15 - 20% additional power to given shaft power.



# Performance table

Model	RPM	1000mmAq		2000mmAq		3000mmAq		4000mmAq		5000mmAq		6000mmAq		7000mmAq		8000mmAq	
		Qs	La	Qs	La	Qs	La	Qs	La	Qs	La	Qs	La	Qs	La	Qs	La
GRB-40	850	1.02	0.42	0.89	0.64	0.79	0.85	0.71	1.07	0.63	1.29						
	950	1.18	0.47	1.05	0.71	0.95	0.95	0.86	1.20	0.79	1.44						
	1050	1.33	0.52	1.20	0.79	1.10	1.06	1.02	1.32	0.94	1.59						
	1150	1.49	0.57	1.36	0.86	1.26	1.16	1.18	1.45	1.10	1.74						
	1250	1.65	0.62	1.52	0.94	1.42	1.26	1.33	1.58	1.26	1.90	1.19	2.22	1.13	2.54	1.07	2.86
	1350	1.80	0.67	1.67	1.01	1.57	1.36	1.49	1.70	1.42	2.05	1.35	2.39	1.29	2.74	1.23	3.08
	1450	1.96	0.71	1.83	1.09	1.73	1.46	1.65	1.83	1.57	2.20	1.50	2.57	1.44	2.94	1.39	3.31
	1550	2.12	0.76	1.99	1.16	1.89	1.56	1.80	1.95	1.73	2.35	1.66	2.75	1.60	3.15	1.54	3.54
	1650	2.27	0.81	2.14	1.24	2.04	1.66	1.96	2.08	1.89	2.50	1.82	2.93	1.76	3.35	1.70	3.77
	1750	2.43	0.86	2.30	1.31	2.20	1.76	2.12	2.21	2.04	2.65	1.98	3.10	1.91	3.55	1.86	4.00
	1850	2.59	0.91	2.46	1.39	2.36	1.86	2.27	2.33	2.20	2.81	2.13	3.28	2.07	3.75	2.01	4.23
1950	2.74	0.96	2.61	1.46	2.51	1.96	2.43	2.46	2.36	2.96	2.29	3.46	2.23	3.96	2.17	4.46	
GRB-50	850	1.81	0.61	1.64	0.97	1.52	1.34	1.41	1.70	1.31	2.06	1.22	2.42	1.14	2.79	1.07	3.15
	950	2.07	0.68	1.91	1.09	1.78	1.49	1.67	1.90	1.57	2.30	1.48	2.71	1.40	3.11	1.33	3.52
	1050	2.34	0.75	2.17	1.20	2.04	1.65	1.93	2.10	1.83	2.55	1.75	2.99	1.67	3.44	1.59	3.89
	1150	2.60	0.82	2.43	1.32	2.30	1.81	2.19	2.30	2.09	2.79	2.01	3.28	1.93	3.77	1.85	4.26
	1250	2.86	0.90	2.69	1.43	2.56	1.96	2.45	2.50	2.35	3.03	2.27	3.56	2.19	4.10	2.11	4.63
	1350	3.12	0.97	2.95	1.54	2.82	2.12	2.71	2.70	2.62	3.27	2.53	3.85	2.45	4.42	2.37	5.00
	1450	3.38	1.04	3.21	1.66	3.08	2.28	2.97	2.90	2.88	3.51	2.79	4.13	2.71	4.75	2.64	5.37
	1550	3.64	1.11	3.47	1.77	3.34	2.43	3.23	3.10	3.14	3.76	3.05	4.42	2.97	5.08	2.90	5.74
	1650	3.90	1.18	3.73	1.89	3.61	2.59	3.50	3.30	3.40	4.00	3.31	4.70	3.23	5.41	3.16	6.11
	1750	4.16	1.26	4.00	2.00	3.87	2.75	3.76	3.50	3.66	4.24	3.57	4.99	3.49	5.74	3.42	6.48
	1850	4.43	1.33	4.26	2.12	4.13	2.91	4.02	3.70	3.92	4.48	3.84	5.27	3.76	6.06	3.68	6.85
1950	4.69	1.40	4.52	2.23	4.39	3.06	4.28	3.89	4.18	4.73	4.10	5.56	4.02	6.39	3.94	7.22	
GRB-65	850	2.38	0.79	2.16	1.18	2.00	1.66	1.86	2.13	1.74	2.60	1.63	3.07	1.53	3.54	1.44	4.01
	950	2.71	0.88	2.50	1.32	2.34	1.85	2.20	2.38	2.08	2.91	1.97	3.43	1.87	3.96	1.78	4.49
	1050	3.05	0.97	2.84	1.46	2.68	2.05	2.54	2.63	2.42	3.21	2.31	3.79	2.21	4.38	2.12	4.96
	1150	3.39	1.06	3.18	1.60	3.02	2.24	2.88	2.88	2.76	3.52	2.65	4.15	2.55	4.79	2.46	5.43
	1250	3.73	1.16	3.52	1.74	3.36	2.44	3.22	3.13	3.10	3.82	2.99	4.52	2.89	5.21	2.80	5.90
	1350	4.07	1.25	3.86	1.88	3.70	2.63	3.56	3.38	3.44	4.13	3.33	4.88	3.23	5.63	3.14	6.38
	1450	4.41	1.34	4.20	2.02	4.04	2.83	3.90	3.63	3.78	4.43	3.67	5.24	3.57	6.04	3.48	6.85
	1550	4.75	1.43	4.54	2.16	4.38	3.02	4.24	3.88	4.12	4.74	4.01	5.60	3.91	6.46	3.82	7.32
	1650	5.09	1.53	4.88	2.30	4.72	3.22	4.58	4.13	4.46	5.05	4.35	5.96	4.25	6.88	4.16	7.79
	1750	5.43	1.62	5.22	2.44	5.06	3.41	4.92	4.38	4.80	5.35	4.69	6.32	4.59	7.29	4.50	8.26
	1850	5.77	1.71	5.56	2.58	5.40	3.61	5.26	4.63	5.14	5.66	5.03	6.68	4.93	7.71	4.84	8.74
1950	6.11	1.80	5.90	2.72	5.74	3.80	5.60	4.88	5.48	5.96	5.37	7.05	5.27	8.13	5.18	9.21	
GRB-80	800	4.11	1.30	3.83	2.09	3.62	2.87	3.44	3.65	3.28	4.44	3.13	5.22	3.00	6.00	2.87	6.78
	900	4.71	1.47	4.43	2.35	4.22	3.23	4.03	4.11	3.87	4.99	3.73	5.87	3.60	6.75	3.47	7.63
	1000	5.31	1.63	5.03	2.61	4.82	3.59	4.63	4.57	4.47	5.55	4.33	6.52	4.20	7.50	4.07	8.48
	1100	5.91	1.79	5.63	2.87	5.42	3.95	5.23	5.02	5.07	6.10	4.93	7.18	4.79	8.25	4.67	9.33
	1200	6.51	1.96	6.23	3.13	6.01	4.31	5.83	5.48	5.67	6.65	5.53	7.83	5.39	9.00	5.27	10.18
	1300	7.11	2.12	6.83	3.39	6.61	4.66	6.43	5.94	6.27	7.21	6.13	8.48	5.99	9.75	5.87	11.03
	1400	7.71	2.28	7.43	3.65	7.21	5.02	7.03	6.39	6.87	7.76	6.73	9.13	6.59	10.50	6.47	11.87
	1500	8.31	2.45	8.03	3.91	7.81	5.38	7.63	6.85	7.47	8.32	7.32	9.79	7.19	11.25	7.07	12.72
	1600	8.91	2.61	8.63	4.18	8.41	5.74	8.23	7.31	8.07	8.87	7.92	10.44	7.79	12.00	7.67	13.57
	1650	9.21	2.69	8.93	4.31	8.71	5.92	8.53	7.54	8.37	9.15	8.22	10.76	8.09	12.38	7.97	13.99
	1750	9.81	2.85	9.53	4.57	9.31	6.28	9.13	7.99	8.97	9.70	8.82	11.42	8.69	13.13	8.57	14.84
1850	10.41	3.02	10.12	4.83	9.91	6.64	9.73	8.45	9.57	10.26	9.42	12.07	9.29	13.88	9.16	15.69	
1950	11.00	3.18	10.72	5.09	10.51	7.00	10.33	8.91	10.17	10.81	10.02	12.72	9.89	14.63	9.76	16.54	

Remark: 1. Qs unit = inlet air flow (m<sup>3</sup>/min)      2. Ls unit = shaft power (BKW)

# Performance table

Model	RPM	1000mmAq		2000mmAq		3000mmAq		4000mmAq		5000mmAq		6000mmAq		7000mmAq		8000mmAq	
		Qs	La	Qs	La	Qs	La	Qs	La	Qs	La	Qs	La	Qs	La	Qs	La
GRB-100	800	5.78	1.98	5.39	3.07	5.09	4.17	4.84	5.26	4.62	6.36	4.42	7.46	4.24	8.55	4.07	9.65
	900	6.61	2.22	6.23	3.46	5.93	4.69	5.68	5.92	5.46	7.15	5.26	8.39	5.08	9.62	4.91	10.85
	1000	7.45	2.47	7.07	3.84	6.77	5.21	6.52	6.58	6.30	7.95	6.10	9.32	5.91	10.69	5.74	12.06
	1100	8.29	2.72	7.90	4.22	7.61	5.73	7.36	7.24	7.14	8.74	6.94	10.25	6.75	11.76	6.58	13.27
	1200	9.13	2.96	8.74	4.61	8.45	6.25	8.20	7.90	7.98	9.54	7.78	11.18	7.59	12.83	7.42	14.47
	1300	9.97	3.21	9.58	4.99	9.29	6.77	9.03	8.55	8.81	10.33	8.61	12.12	8.43	13.90	8.26	15.68
	1400	10.81	3.46	10.42	5.37	10.12	7.29	9.87	9.21	9.65	11.13	9.45	13.05	9.27	14.97	9.10	16.88
	1500	11.65	3.70	11.26	5.76	10.96	7.81	10.71	9.87	10.49	11.92	10.29	13.98	10.11	16.03	9.94	18.09
	1600	12.49	3.95	12.10	6.14	11.80	8.33	11.55	10.53	11.33	12.72	11.13	14.91	10.95	17.10	10.78	19.30
	1650	12.91	4.07	12.52	6.33	12.22	8.60	11.97	10.86	11.75	13.12	11.55	15.38	11.37	17.64	11.20	19.90
	1750	13.74	4.32	13.36	6.72	13.06	9.12	12.81	11.51	12.59	13.91	12.39	16.31	12.21	18.71	12.04	21.10
1850	14.58	4.57	14.20	7.10	13.90	9.64	13.65	12.17	13.43	14.71	13.23	17.24	13.04	19.78	12.87	22.31	
1950	15.42	4.81	15.03	7.49	14.74	10.16	14.49	12.83	14.27	15.50	14.07	18.17	13.88	20.84	13.71	23.52	
GRB-125A	780	8.59	2.61	8.17	4.18	7.85	5.74	7.58	7.31	7.34	8.88	7.13	10.44	6.93	12.01	6.75	13.58
	830	9.20	2.78	8.78	4.44	8.46	6.11	8.20	7.78	7.96	9.45	7.74	11.11	7.55	12.78	7.36	14.45
	880	9.82	2.95	9.40	4.71	9.08	6.48	8.81	8.25	8.57	10.01	8.36	11.78	8.16	13.55	7.98	15.32
	930	10.43	3.11	10.01	4.98	9.69	6.85	9.42	8.72	9.19	10.58	8.97	12.45	8.78	14.32	8.59	16.19
	990	11.17	3.31	10.75	5.30	10.43	7.29	10.16	9.28	9.93	11.27	9.71	13.25	9.51	15.24	9.33	17.23
	1050	11.91	3.51	11.49	5.62	11.17	7.73	10.90	9.84	10.66	11.95	10.45	14.06	10.25	16.17	10.07	18.28
	1110	12.64	3.72	12.23	5.94	11.91	8.17	11.64	10.40	11.40	12.63	11.19	14.86	10.99	17.09	10.81	19.32
	1180	13.50	3.95	13.09	6.32	12.77	8.69	12.50	11.06	12.26	13.43	12.05	15.80	11.85	18.17	11.67	20.54
	1250	14.36	4.18	13.95	6.69	13.63	9.20	13.36	11.71	13.12	14.23	12.91	16.74	12.71	19.25	12.53	21.76
	1320	15.23	4.42	14.81	7.07	14.49	9.72	14.22	12.37	13.98	15.02	13.77	17.67	13.57	20.32	13.39	22.97
	1390	16.09	4.65	15.67	7.44	15.35	10.24	15.08	13.03	14.84	15.82	14.63	18.61	14.43	21.40	14.25	24.19
	1470	17.07	4.92	16.65	7.87	16.33	10.82	16.06	13.78	15.83	16.73	15.61	19.68	15.42	22.63	15.23	25.59
	1560	18.18	5.22	17.76	8.35	17.44	11.49	17.17	14.62	16.93	17.75	16.72	20.89	16.52	24.02	16.34	27.15
	1650	19.28	5.52	18.87	8.84	18.55	12.15	18.28	15.46	18.04	18.78	17.83	22.09	17.63	25.40	17.44	28.72
	1750	20.51	5.86	20.10	9.37	19.78	12.89	19.51	16.40	19.27	19.92	19.06	23.43	18.86	26.94	18.67	30.46
1850	21.74	6.19	21.33	9.91	21.01	13.62	20.74	17.34	20.50	21.05	20.28	24.77	20.09	28.48	19.90	32.20	
GRB-125	780	12.64	3.82	12.08	6.11	11.64	8.39	11.27	10.68	10.95	12.97	10.66	15.26	10.39	17.55	10.14	19.84
	830	13.54	4.06	12.97	6.50	12.54	8.93	12.17	11.37	11.85	13.81	11.55	16.24	11.28	18.68	11.03	21.11
	880	14.44	4.30	13.87	6.89	13.44	9.47	13.07	12.05	12.75	14.64	12.45	17.22	12.18	19.80	11.93	22.39
	930	15.34	4.55	14.77	7.28	14.34	10.01	13.97	12.74	13.64	15.47	13.35	18.20	13.08	20.93	12.83	23.66
	990	16.42	4.84	15.85	7.75	15.41	10.65	15.05	13.56	14.72	16.47	14.43	19.37	14.16	22.28	13.91	25.18
	1050	17.50	5.14	16.93	8.22	16.49	11.30	16.12	14.38	15.80	17.46	15.51	20.55	15.24	23.63	14.99	26.71
	1110	18.57	5.43	18.01	8.69	17.57	11.95	17.20	15.20	16.88	18.46	16.59	21.72	16.32	24.98	16.07	28.24
	1180	19.83	5.77	19.26	9.24	18.83	12.70	18.46	16.16	18.14	19.63	17.84	23.09	17.57	26.55	17.32	30.02
	1250	21.09	6.11	20.52	9.78	20.09	13.45	19.72	17.12	19.39	20.79	19.10	24.46	18.83	28.13	18.58	31.80
	1320	22.35	6.46	21.78	10.33	21.34	14.21	20.98	18.08	20.65	21.96	20.36	25.83	20.09	29.70	19.84	33.58
	1390	23.61	6.80	23.04	10.88	22.60	14.96	22.23	19.04	21.91	23.12	21.62	27.20	21.35	31.28	21.10	35.36
	1470	25.04	7.19	24.48	11.51	24.04	15.82	23.67	20.14	23.35	24.45	23.06	28.76	22.79	33.08	22.53	37.39
	1560	26.66	7.63	26.09	12.21	25.66	16.79	25.29	21.37	24.97	25.95	24.67	30.53	24.40	35.10	24.15	39.68
	1650	28.28	8.07	27.71	12.91	27.27	17.76	26.91	22.60	26.58	27.44	26.29	32.29	26.02	37.13	25.77	41.97
	1750	30.08	8.56	29.51	13.70	29.07	18.83	28.70	23.97	28.38	29.11	28.09	34.24	27.82	39.38	27.57	44.52
1850	31.87	9.05	31.30	14.48	30.87	19.91	30.50	25.34	30.18	30.77	29.88	36.20	29.61	41.63	29.36	47.06	
GRB-150	780	16.35	4.92	15.64	7.87	15.09	10.82	14.62	13.78	14.22	16.73	13.85	19.68	13.51	22.63	13.20	25.59
	830	17.51	5.24	16.79	8.38	16.25	11.52	15.78	14.66	15.38	17.80	15.01	20.94	14.67	24.08	14.35	27.23
	880	18.67	5.55	17.95	8.88	17.40	12.21	16.94	15.54	16.53	18.87	16.17	22.20	15.83	25.53	15.51	28.87
	930	19.83	5.87	19.11	9.39	18.56	12.91	18.10	16.43	17.69	19.95	17.33	23.47	16.99	26.99	16.67	30.51
	990	21.22	6.24	20.50	9.99	19.95	13.74	19.49	17.49	19.08	21.23	18.72	24.98	18.38	28.73	18.06	32.47

Remark: 1. Qs unit = inlet air flow (m<sup>3</sup>/min)      2. Ls unit = shaft power (BKW)



# Performance table

Model	RPM	1000mmAq		2000mmAq		3000mmAq		4000mmAq		5000mmAq		6000mmAq		7000mmAq		8000mmAq	
		Qs	La	Qs	La	Qs	La	Qs	La	Qs	La	Qs	La	Qs	La	Qs	La
GRB-150	1050	22.61	6.62	21.89	10.60	21.34	14.57	20.88	18.55	20.47	22.52	20.11	26.49	19.77	30.47	19.45	34.44
	1110	24.00	7.00	23.28	11.20	22.73	15.40	22.27	19.61	21.86	23.81	21.50	28.01	21.16	32.21	20.84	36.41
	1180	25.62	7.44	24.90	11.91	24.36	16.38	23.89	20.84	23.49	25.31	23.12	29.77	22.78	34.24	22.46	38.71
	1250	27.24	7.89	26.53	12.62	25.98	17.35	25.52	22.08	25.11	26.81	24.74	31.54	24.40	36.27	24.09	41.00
	1320	28.86	8.33	28.15	13.32	27.60	18.32	27.14	23.31	26.73	28.31	26.36	33.31	26.02	38.30	25.71	43.30
	1390	30.48	8.77	29.77	14.03	29.22	19.29	28.76	24.55	28.35	29.81	27.98	35.07	27.65	40.33	27.33	45.59
	1470	32.34	9.27	31.62	14.84	31.08	20.40	30.61	25.96	30.21	31.53	29.84	37.09	29.50	42.65	29.18	48.22
	1560	34.42	9.84	33.71	15.74	33.16	21.65	32.70	27.55	32.29	33.46	31.92	39.36	31.59	45.27	31.27	51.17
	1650	36.51	10.41	35.80	16.65	35.25	22.90	34.78	29.14	34.38	35.39	34.01	41.63	33.67	47.88	33.36	54.12
	1750	38.83	11.04	38.11	17.66	37.56	24.29	37.10	30.91	36.69	37.53	36.33	44.16	35.99	50.78	35.67	57.40
	1850	41.14	11.67	40.43	18.67	39.88	25.67	39.42	32.68	39.01	39.68	38.64	46.68	38.31	53.68	37.99	60.68
GRB-200A	830	28.66	8.40	27.75	13.44	27.06	18.48	26.47	23.51	25.96	28.55	25.49	33.59	25.06	38.63	24.66	43.67
	880	30.52	8.90	29.61	14.25	28.92	19.59	28.33	24.93	27.81	30.27	27.35	35.62	26.92	40.96	26.52	46.30
	930	32.38	9.41	31.47	15.06	30.78	20.70	30.19	26.35	29.67	31.99	29.21	37.64	28.78	43.29	28.38	48.93
	990	34.61	10.02	33.70	16.03	33.01	22.04	32.42	28.05	31.90	34.06	31.44	40.07	31.01	46.08	30.61	52.09
	1050	36.84	10.62	35.93	17.00	35.24	23.37	34.65	29.75	34.13	36.12	33.67	42.50	33.24	48.87	32.84	55.25
	1110	39.07	11.23	38.16	17.97	37.47	24.71	36.88	31.45	36.36	38.19	35.90	44.92	35.47	51.66	35.07	58.40
	1180	41.67	11.94	40.76	19.10	40.07	26.27	39.48	33.43	38.96	40.59	38.50	47.76	38.07	54.92	37.67	62.08
	1250	44.27	12.65	43.37	20.24	42.67	27.82	42.08	35.41	41.57	43.00	41.10	50.59	40.67	58.18	40.27	65.77
	1320	46.87	13.36	45.97	21.37	45.27	29.38	44.69	37.40	44.17	45.41	43.70	53.42	43.27	61.44	42.87	69.45
	1390	49.48	14.06	48.57	22.50	47.87	30.94	47.29	39.38	46.77	47.82	46.30	56.26	45.87	64.70	45.47	73.13
1470	52.45	14.87	51.54	23.80	50.85	32.72	50.26	41.65	49.74	50.57	49.28	59.49	48.85	68.42	48.45	77.34	
GRB-200	880	39.61	11.45	38.59	18.32	37.81	25.19	37.16	32.05	36.58	38.92	36.06	45.79	35.58	52.66	35.13	59.53
	930	42.00	12.10	40.98	19.36	40.20	26.62	39.55	33.88	38.97	41.13	38.45	48.39	37.97	55.65	37.52	62.91
	990	44.86	12.88	43.85	20.61	43.07	28.33	42.41	36.06	41.84	43.79	41.31	51.52	40.83	59.24	40.39	66.97
	1050	47.73	13.66	46.72	21.86	45.94	30.05	45.28	38.25	44.70	46.44	44.18	54.64	43.70	62.83	43.25	71.03
	1110	50.60	14.44	49.58	23.10	48.81	31.77	48.15	40.43	47.57	49.10	47.05	57.76	46.57	66.42	46.12	75.09
	1180	53.94	15.35	52.93	24.56	52.15	33.77	51.49	42.98	50.92	52.19	50.39	61.40	49.91	70.61	49.47	79.82
	1250	57.29	16.26	56.27	26.02	55.50	35.77	54.84	45.53	54.26	55.29	53.74	65.05	53.26	74.80	52.81	84.56
	1320	60.63	17.17	59.62	27.48	58.84	37.78	58.18	48.08	57.61	58.38	57.08	68.69	56.60	78.99	56.16	89.29
	1390	63.98	18.08	62.96	28.93	62.19	39.78	61.53	50.63	60.95	61.48	60.43	72.33	59.95	83.18	59.50	94.03
	1470	67.80	19.12	66.79	30.60	66.01	42.07	65.35	53.55	64.78	65.02	64.25	76.49	63.77	87.97	63.33	99.44
GRB-250	830	50.02	14.40	48.83	23.03	47.92	31.67	47.15	40.31	46.48	48.95	45.87	57.59	45.30	66.22	44.78	74.86
	880	53.21	15.26	52.02	24.42	51.11	33.58	50.34	42.74	49.66	51.90	49.05	61.06	48.49	70.21	47.97	79.37
	930	56.39	16.13	55.20	25.81	54.29	35.49	53.53	45.17	52.85	54.85	52.24	64.52	51.68	74.20	51.15	83.88
	990	60.21	17.17	59.03	27.48	58.12	37.78	57.35	48.08	56.67	58.38	56.06	68.69	55.50	78.99	54.97	89.29
	1050	64.04	18.21	62.85	29.14	61.94	40.07	61.17	51.00	60.50	61.92	59.88	72.85	59.32	83.78	58.80	94.71
	1110	67.86	19.25	66.67	30.81	65.76	42.36	64.99	53.91	64.32	65.46	63.71	77.01	63.14	88.57	62.62	100.12
	1180	72.32	20.47	71.13	32.75	70.22	45.03	69.46	57.31	68.78	69.59	68.17	81.87	67.60	94.15	67.08	106.43
	1250	76.78	21.68	75.59	34.69	74.68	47.70	73.92	60.71	73.24	73.72	72.63	86.73	72.06	99.74	71.54	112.75
	1320	81.24	22.90	80.05	36.63	79.14	50.37	78.38	64.11	77.70	77.85	77.09	91.58	76.53	105.32	76.00	119.06
	1390	85.70	24.11	84.51	38.58	83.60	53.04	82.84	67.51	82.16	81.97	81.55	96.44	80.99	110.91	80.46	125.37
1470	90.80	25.50	89.61	40.80	88.70	56.10	87.93	71.39	87.26	86.69	86.65	101.99	86.08	117.29	85.56	132.59	
GRB-300A	830	66.52	19.20	64.86	30.71	63.59	42.23	62.52	53.75	61.57	65.26	60.72	76.78	59.94	88.30	59.21	99.82
	880	70.76	20.35	69.11	32.56	67.84	44.77	66.77	56.99	65.82	69.20	64.97	81.41	64.18	93.62	63.45	105.83
	930	75.01	21.51	73.36	34.41	72.09	47.32	71.01	60.22	70.07	73.13	69.22	86.03	68.43	98.94	67.70	111.84
	990	80.11	22.90	78.45	36.63	77.18	50.37	76.11	64.11	75.17	77.85	74.31	91.58	73.53	105.32	72.80	119.06
	1050	85.21	24.28	83.55	38.85	82.28	53.42	81.21	67.99	80.27	82.56	79.41	97.13	78.63	111.70	77.90	126.27

Remark: 1. Qs unit = inlet air flow (m<sup>3</sup>/min)      2. Ls unit = shaft power (BKW)



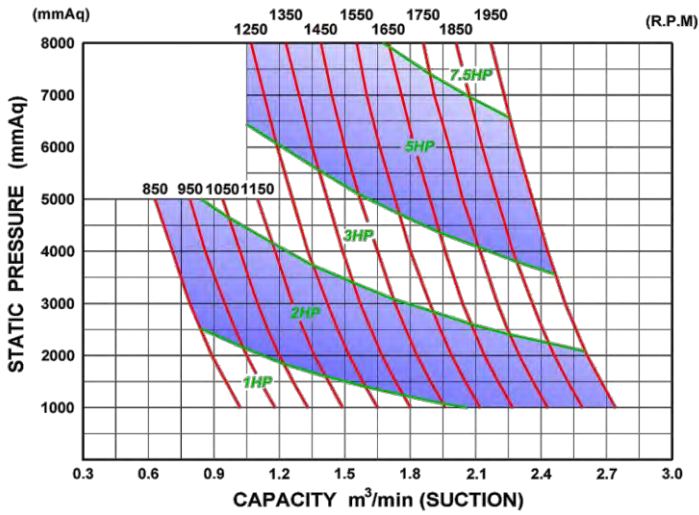
# Performance table

Model	RPM	1000mmAq		2000mmAq		3000mmAq		4000mmAq		5000mmAq		6000mmAq		7000mmAq		8000mmAq	
		Qs	La	Qs	La	Qs	La	Qs	La	Qs	La	Qs	La	Qs	La	Qs	La
GRB-300A	1110	90.30	25.67	88.65	41.07	87.38	56.48	86.31	71.88	85.36	87.28	84.51	102.68	83.72	118.09	82.99	133.49
	1180	96.25	27.29	94.60	43.66	93.32	60.04	92.25	76.41	91.31	92.79	90.46	109.16	89.67	125.53	88.94	141.91
	1250	102.20	28.91	100.54	46.25	99.27	63.60	98.20	80.95	97.26	98.29	96.40	115.64	95.62	132.98	94.89	150.33
	1320	108.15	30.53	106.49	48.84	105.22	67.16	104.15	85.48	103.20	103.79	102.35	122.11	101.57	140.43	100.84	158.75
	1390	114.09	32.15	112.44	51.43	111.17	70.72	110.09	90.01	109.15	109.30	108.30	128.59	107.51	147.88	106.78	167.16
	1470	120.89	34.00	119.23	54.40	117.96	74.79	116.89	95.19	115.95	115.59	115.09	135.99	114.31	156.39	113.58	176.78
GRB-300	800	101.28	29.11	98.93	46.58	97.12	64.05	95.60	81.52	94.26	98.99	93.05	116.46	91.94	133.92	90.90	151.39
	900	114.64	32.75	112.30	52.40	110.49	72.06	108.97	91.71	107.63	111.36	106.42	131.01	105.31	150.66	104.27	170.32
	1000	128.01	36.39	125.66	58.23	123.86	80.06	122.34	101.90	121.00	123.73	119.79	145.57	118.68	167.40	117.64	189.24
	1100	141.38	40.03	139.03	64.05	137.23	88.07	135.71	112.09	134.37	136.11	133.16	160.13	132.05	184.14	131.01	208.16
	1200	154.75	43.67	152.40	69.87	150.60	96.08	149.08	122.28	147.74	148.48	146.53	174.68	145.41	200.89	144.38	227.09
	1300	168.12	47.31	165.77	75.70	163.97	104.08	162.45	132.47	161.11	160.85	159.90	189.24	158.78	217.63	157.75	246.01
GRB-350	600	118.60	34.31	115.52	54.90	113.16	75.49	111.16	96.08	109.40	116.66	107.82	137.25	106.36	157.84	105.00	178.43
	700	139.61	40.03	136.53	64.05	134.16	88.07	132.17	112.09	130.41	136.11	128.82	160.13	127.36	184.14	126.00	208.16
	800	160.62	45.75	157.54	73.20	155.17	100.65	153.18	128.10	151.42	155.55	149.83	183.00	148.37	210.45	147.01	237.90
	900	181.63	51.47	178.54	82.35	176.18	113.23	174.19	144.11	172.43	174.99	170.84	205.88	169.38	236.76	168.02	267.64
	1000	202.64	57.19	199.55	91.50	197.19	125.81	195.19	160.13	193.44	194.44	191.85	228.75	190.39	263.06	189.03	297.38
	1100	223.64	62.91	220.56	100.65	218.19	138.39	216.20	176.14	214.44	213.88	212.86	251.63	211.39	289.37	210.04	327.11
	1200	244.65	68.63	241.57	109.80	239.20	150.98	237.21	192.15	235.45	233.33	233.86	274.50	232.40	315.68	231.04	356.85
	1300	265.66	74.34	262.58	118.95	260.21	163.56	258.22	208.16	256.46	252.77	254.87	297.38	253.41	341.98	252.05	386.59
	1400	286.67	80.06	283.58	128.10	281.22	176.14	279.22	224.18	277.47	272.21	275.88	320.25	274.42	368.29	273.06	416.33
GRB-400	600	137.87	39.77	134.46	63.63	131.84	87.50	129.64	111.36	127.69	135.22	125.94	159.09	124.32	182.95	122.82	206.81
	700	162.22	46.40	158.81	74.24	156.19	102.08	153.99	129.92	152.04	157.76	150.29	185.60	148.67	213.44	147.17	241.28
	800	186.57	53.03	183.16	84.85	180.54	116.66	178.34	148.48	176.39	180.30	174.64	212.11	173.02	243.93	171.52	275.75
	900	210.92	59.66	207.51	95.45	204.89	131.25	202.69	167.04	200.74	202.83	198.99	238.63	197.37	274.42	195.87	310.22
	1000	235.27	66.29	231.86	106.06	229.24	145.83	227.04	185.60	225.09	225.37	223.34	265.14	221.72	304.92	220.22	344.69
	1100	259.62	72.91	256.21	116.66	253.59	160.41	251.39	204.16	249.44	247.91	247.69	291.66	246.07	335.41	244.57	379.16
	1200	283.97	79.54	280.56	127.27	277.94	174.99	275.74	222.72	273.79	270.45	272.04	318.17	270.42	365.90	268.92	413.62

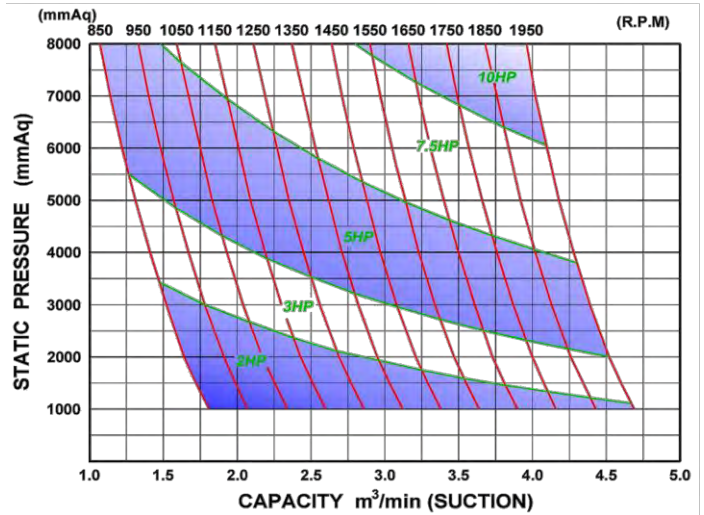
Remark: 1. Qs unit = inlet air flow (m<sup>3</sup>/min)      2. Ls unit = shaft power (BKW)

# Performance curve

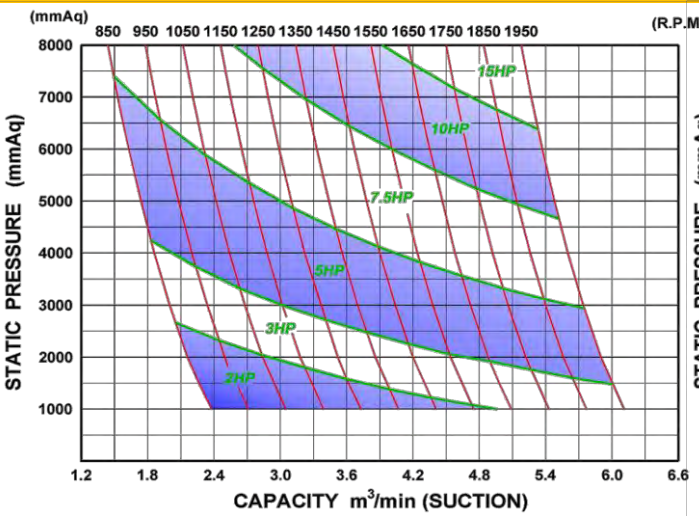
**GRB-40**



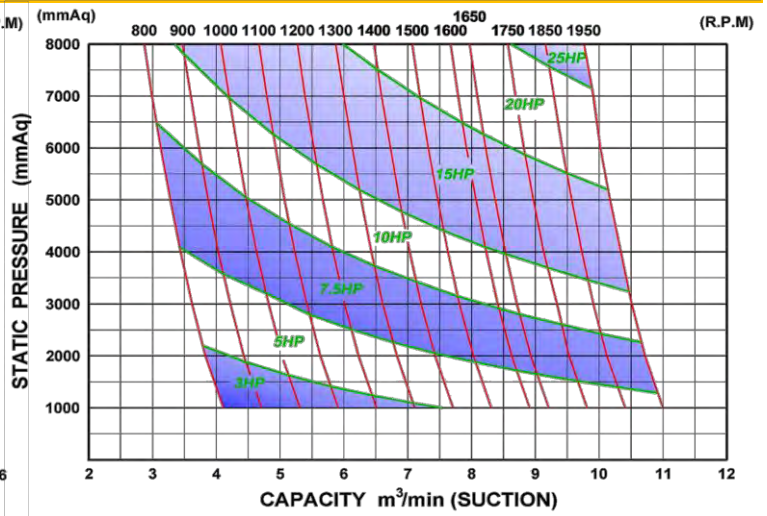
**GRB-50**



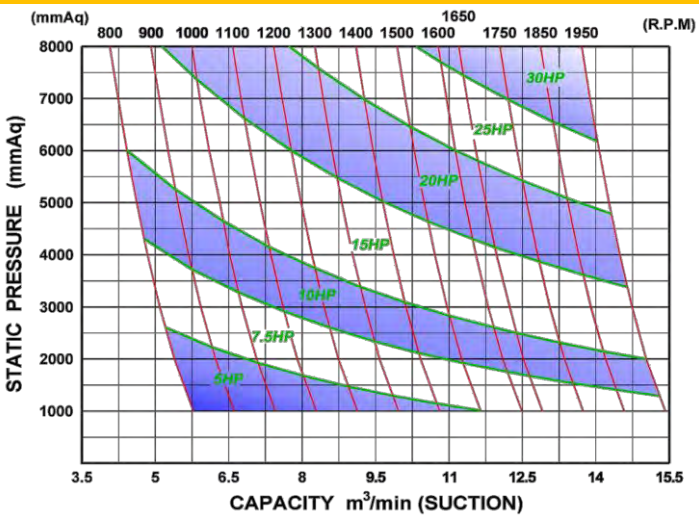
**GRB-65**



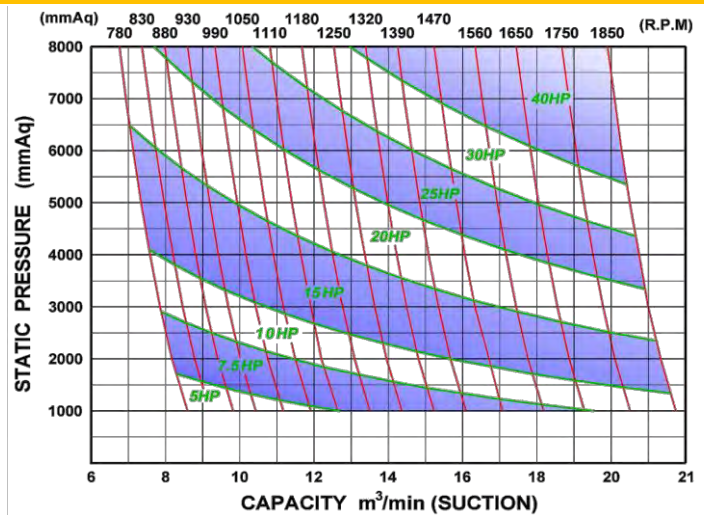
**GRB-80**



**GRB-100**



**GRB-125A**

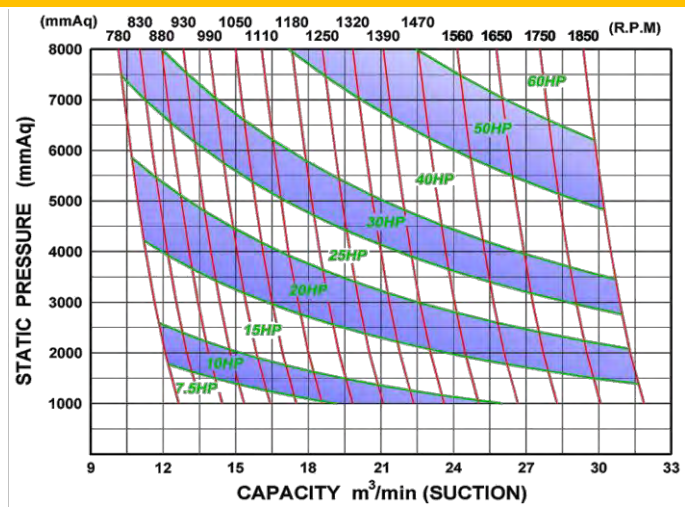


- Remark:
1. Air volume Q (m³/min) is at intake condition.
  2. Output of electric motor (HP) is approximate value.

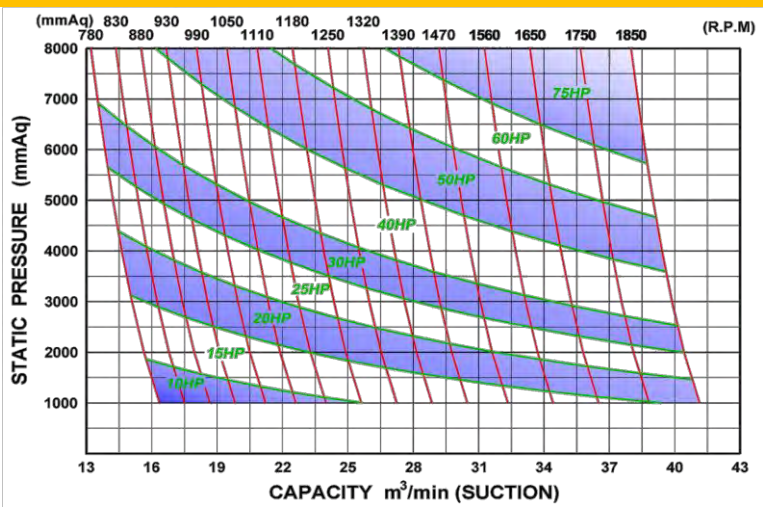


# Performance curve

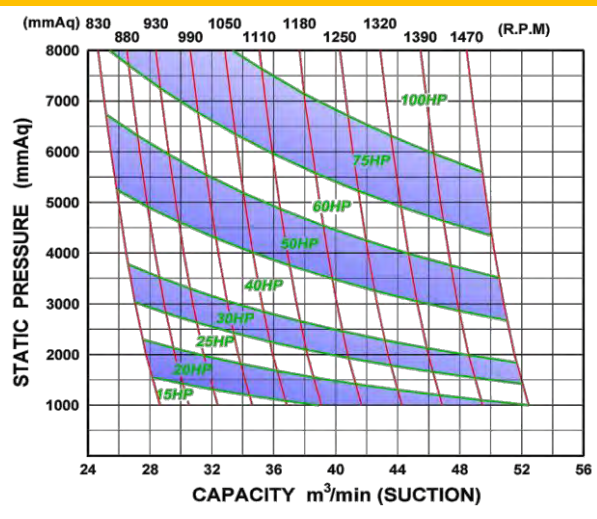
**GRB-125**



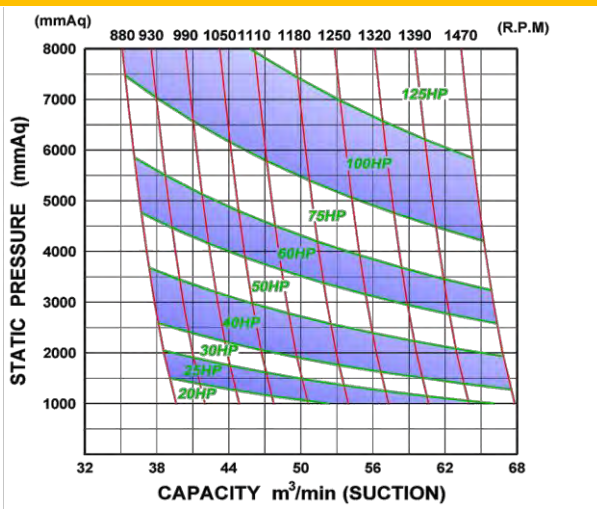
**GRB-150**



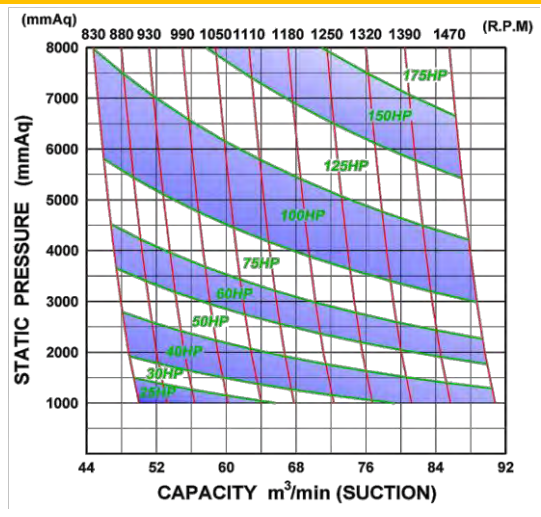
**GRB-200A**



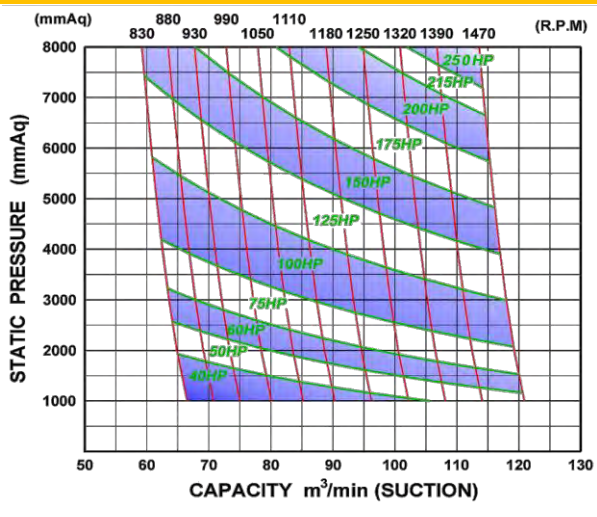
**GRB-200**



**GRB-250**



**GRB-300A**

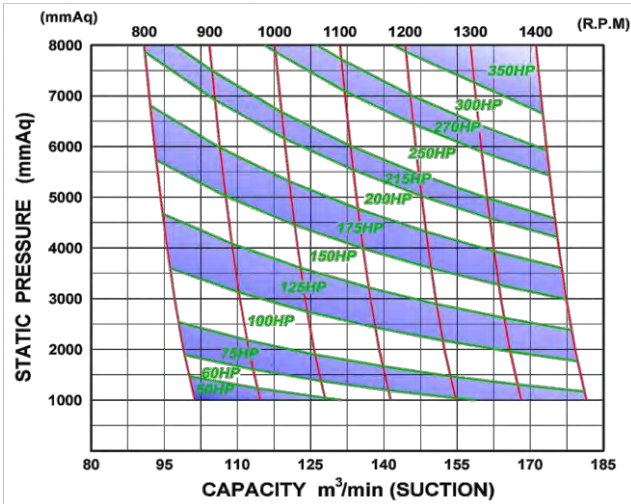


Remark: 1. Air volume Q (m³/min) is at intake condition.  
2. Output of electric motor (HP) is approximate value.

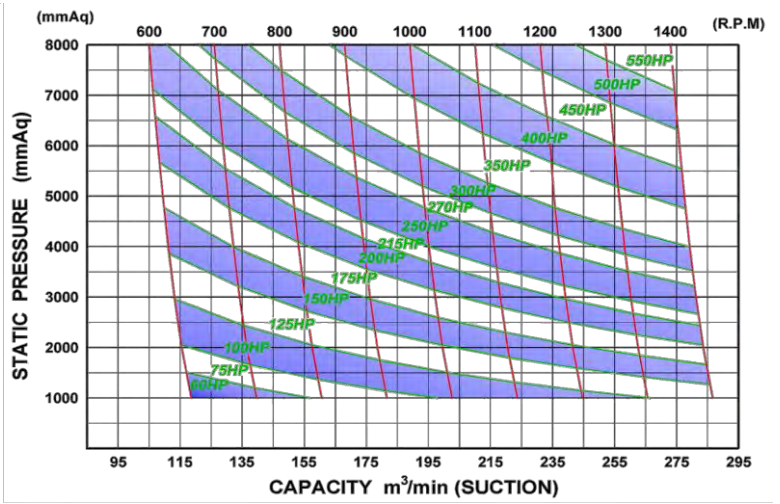


# Performance curve

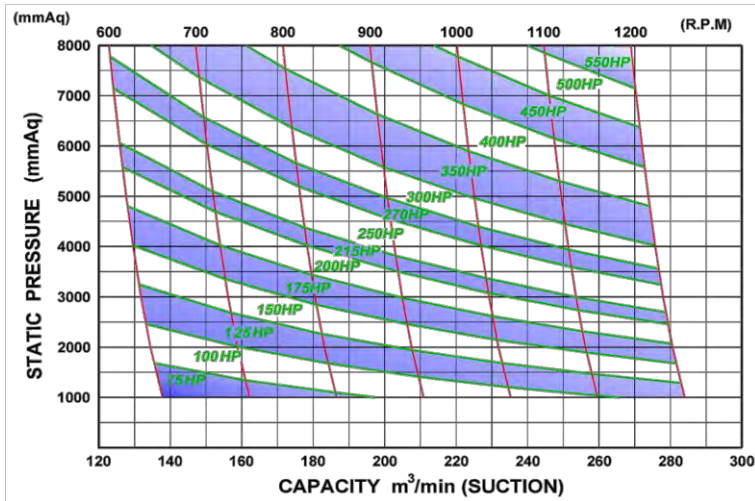
**GRB-300**



**GRB-350**



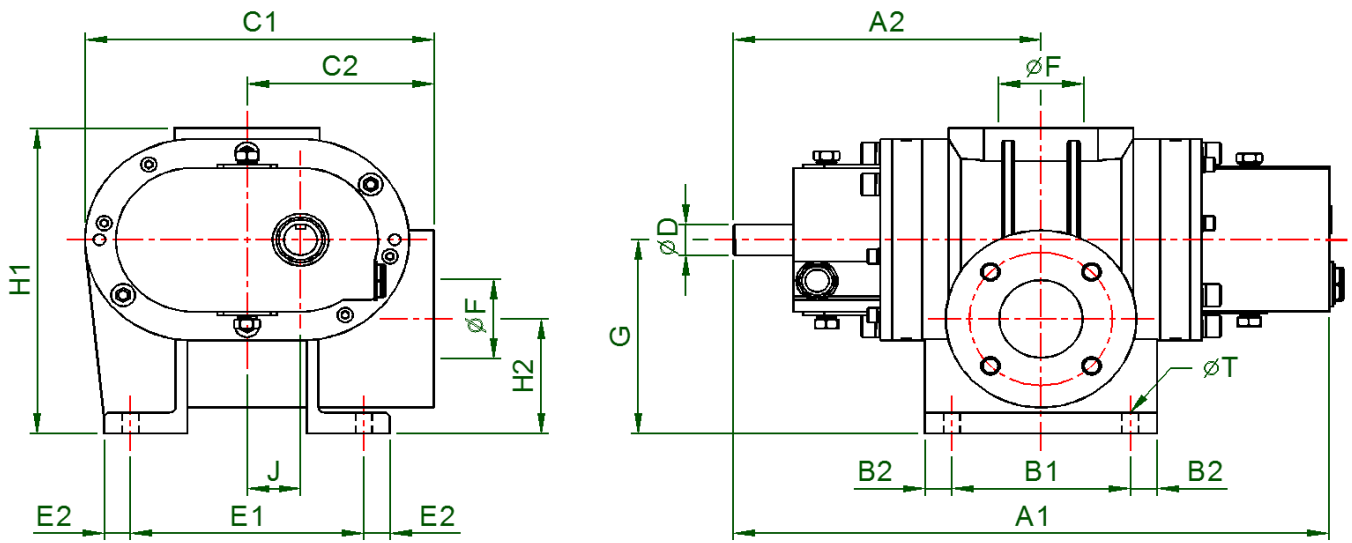
**GRB-400**



- Remark:
1. Air volume Q (m<sup>3</sup>/min) is at intake condition.
  2. Output of electric motor (HP) is approximate value.

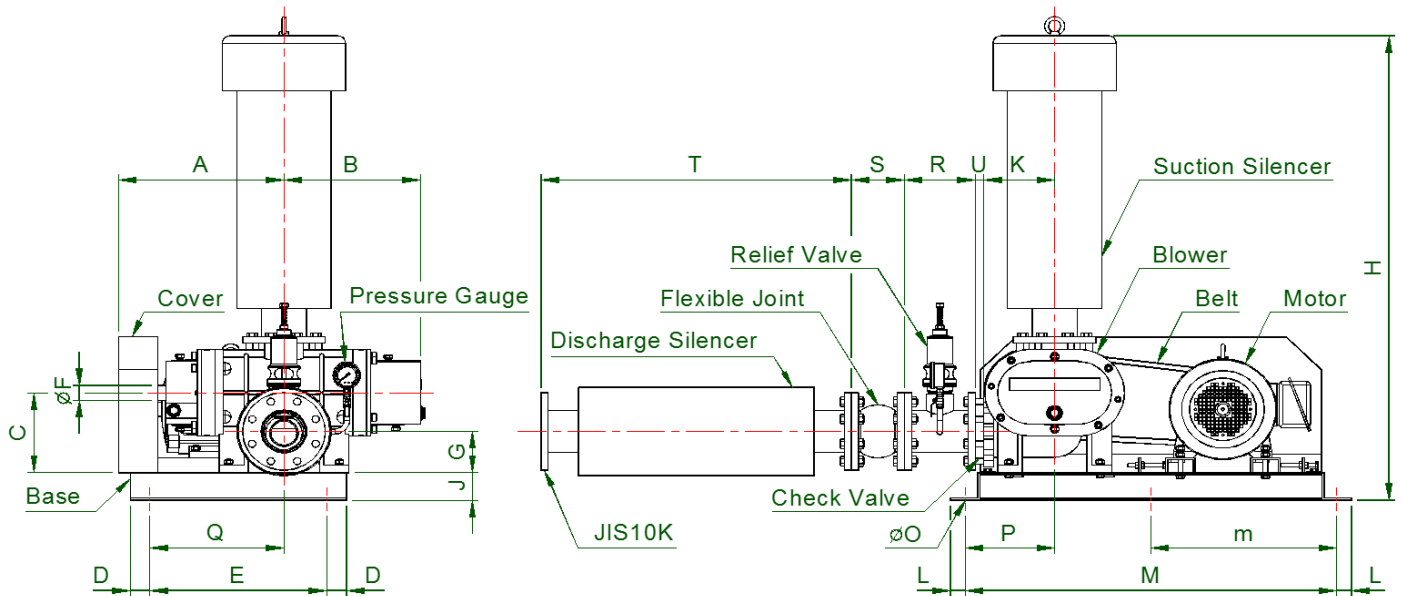


# Main-body dimension



Model	A1	A2	B1	B2	C1	C2	ψD	ψT	E1	E2	ψF	G	H1	H2	J	Wt.(kg)
GRB-40	421	219	80	15	276	140	28	14	196	22	JIS 5K 2" / 10K 2"	180	285	104	45	55
GRB-50	501	259	150	22.5	276	140	28	14	196	22	JIS 10K 2"	191	292	104	45	70
GRB-65	561	289	196	27	288	152	28	14	196	27	JIS 10K 2.5"	194	295	104	45	72
GRB-80	640	343	196	22	358	180	38	14	196	22	JIS 10K 3"	212	341	107	60	136
GRB-100	740	393	282	24	358	180	38	14	232	29	JIS 10K 4"	217	352	112	60	148
GRB-125A	770	400	210	20	483	250	48	19	346	27	JIS 10K 5"	262	430	135	80	248
GRB-125	890	460	310	30	483	250	48	19	355	22.5	JIS 10K 5"	262	430	163	80	274
GRB-150	1000	515	428	26	483	250	48	19	355	22.5	JIS 10K 6"	289	453	163	80	308
GRB-200A	993	495	239	45.5	700	360	65	23	555	42.5	JIS 10K 8"	402	630	198	120	640
GRB-200	1093	545	400	38	690	350	65	23	550	35	JIS 10K 8"	402	630	198	120	732
GRB-250	1243	620	520	25	700	360	65	23	550	35	JIS 10K 10"	435	660	218	120	929
GRB-300A	1479	756	680	45	700	360	75	23	540	40	JIS 10K 12"	435	675	255	120	1071
GRB-300	1306	699	420	55	1010	510	95	33	780	35	JIS 10K 12"	550	880	300	180	1700
GRB-350	1626	859	740	55	1010	510	95	33	780	35	JIS 10K 14"	550	880	300	180	2250
GRB-400	1766	929	880	55	1010	510	95	33	780	35	JIS 10K 16"	550	880	300	180	2500

## Complete set dimension (Horizontal discharge silencer)

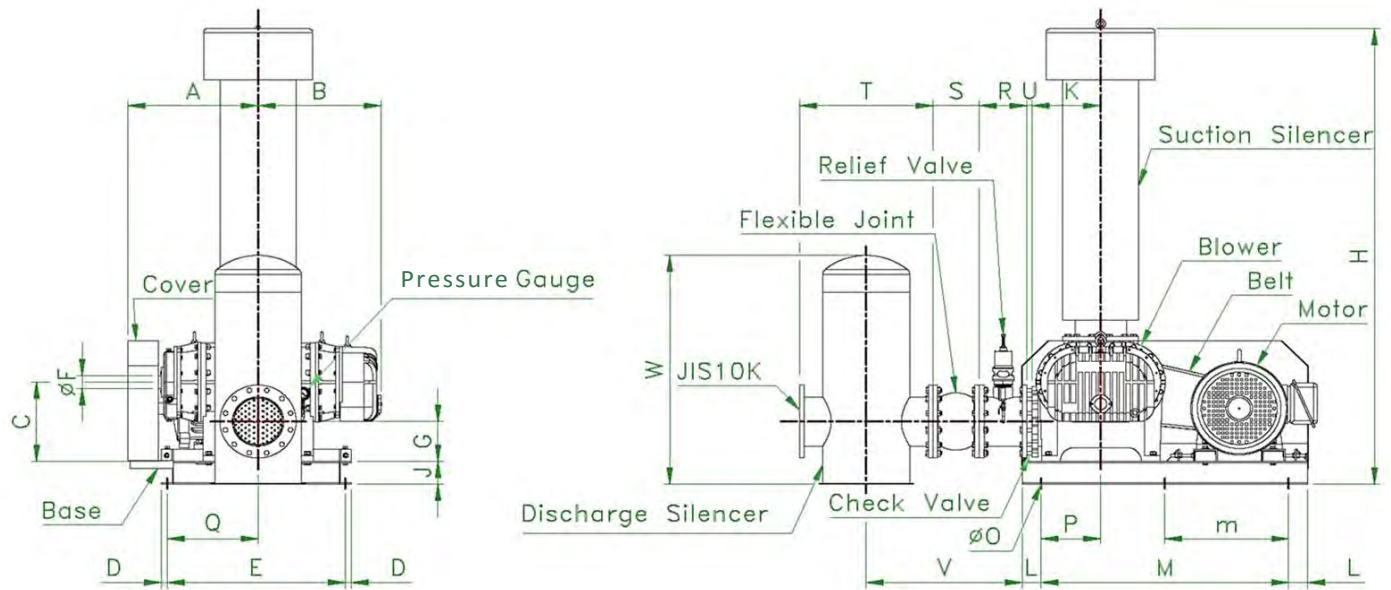


※Wt. without motor

Model	A	B	C	D	E	ψF	G	H	J	K	L	M	m	∅O	P	Q	R	U	S	T	Wt.(kg)
GRB-40	235	202	180	20	350	28	104	731	46	140	50	500	-	14	98	255	150	20	105	589	85
GRB-50	274	242	191	50	350	28	104	933	75	140	37.5	795	-	12.7	208	209	150	20	105	589	122
GRB-65	303	272	194	50	350	28	104	936	75	152	37.5	795	-	12.7	208	238	150	24	115	589	132
GRB-80	371	297	212	50	450	38	107	1251	75	180	37.5	945	-	12.7	228	291	180	24	136	789	233
GRB-100	421	347	217	50	450	38	112	1262	75	180	37.5	945	-	12.7	228	341	180	22	136	789	247
GRB-125A	435	371	262	25	550	48	135	1851	100	250	100	900	-	19	133	240	250	24	174	1260	408
GRB-125	495	431	262	25	550	48	163	1851	100	250	100	900	-	19	138	300	250	24	174	1260	434
GRB-150	536	486	289	25	550	48	163	1874	100	250	100	900	-	19	138	341	250	26	180	1260	485
GRB-200A	560	498	402	32.5	935	65	198	2263	125	360	100	1300	650	20	313	352	250	27	205	1640	990
GRB-200	610	548	402	32.5	935	65	198	2263	125	350	100	1300	650	20	313	403	250	27	205	1640	1080
GRB-250	685	623	435	32.5	935	65	218	2500	125	360	100	1300	650	20	313	478	250	28	240	1760	1350
GRB-300A	800	723	435	37.5	925	75	255	2682	150	360	235	1530	765	24	273	523	300	32	260	1750	1660
GRB-300	780	607	550	45	1010	95	300	3097	250	510	235	2000	1000	33	325	400	300	32	260	1850	2500
GRB-350	940	767	550	45	1110	95	300	3367	250	510	235	2000	1000	33	325	560	350	35	265	2500	3380
GRB-400	1020	837	550	45	1110	95	300	3663	250	510	235	2000	1000	33	325	670	350	40	265	2700	3850



## Complete set dimension (Vertical discharge silencer)



※Wt. without motor

Model	A	B	C	D	E	ØF	G	H	J	K	L	M	m	ØO	P	Q	R	U	S	T	V	W	Wt.(kg)
GRB-40	235	202	108	20	350	28	104	731	46	140	50	500	-	14	98	255	150	20	105	300	417	420	102
GRB-50	274	242	191	50	350	28	104	933	75	140	37.5	795	-	12.7	208	209	150	20	105	300	389	420	130.5
GRB-65	303	272	194	50	350	28	104	936	75	152	37.5	795	-	12.7	208	238	150	24	115	350	440	485	142
GRB-80	371	297	212	50	450	38	107	1251	75	180	37.5	945	-	12.7	228	291	180	24	136	400	518	595	239
GRB-100	421	347	217	50	450	38	112	1262	75	180	37.5	945	-	12.7	228	341	180	22	136	450	547	665	262.5
GRB-125A	435	371	262	25	550	48	135	1851	100	250	100	900	-	19	133	240	250	24	174	500	715	805	423
GRB-125	495	431	262	25	550	48	163	1851	100	250	100	900	-	19	138	300	250	24	174	500	711	805	449
GRB-150	536	486	289	25	550	48	163	1874	100	250	100	900	-	19	138	341	250	26	180	598	773	920	519
GRB-200A	560	498	402	33	935	65	198	2263	125	360	100	1300	650	20	313	352	250	27	205	648	761	1080	984
GRB-200	610	548	402	33	935	65	198	2263	125	350	100	1300	650	20	313	403	250	27	205	648	743	1080	1076
GRB-250	685	646	435	33	935	65	218	2500	125	360	100	1300	650	20	313	478	250	28	245	700	820	1255	1356

Remark: Larger models are available upon request.

## Sound Proof Packaged



### Features

Sound reduction packaged for GRB Series Roots blower to provide low noise effect during operation and safety environmental from loud noise.

- Fiber glass absorption material, capable to reduce noise of 10 -13 dB.
- Easy to assembly with streamline designed.
- Equipped with ventilation fan for interior temperature cooling.
- Featured 2 maintenance doors for convenient maintenance and overhaul.
- Available for all sizes and models.



- Inlet channel for air suction.



- Cooling fan outlet ventilation.



- Two side doors for maintenance access and overhaul.



- Interchangeable door knob handle for maintenance door.



- 3 phase, 380V, 50 Hz ventilation fan for interior temperature cooling.



- 90° Inlet silencer designed to accommodate with the packaged.

*Remark:*

*It is recommended to set the runtime-delay relay for ventilation fan at 10 -15 minute after the blower stop operating to allow interior cooling.*

## Specification

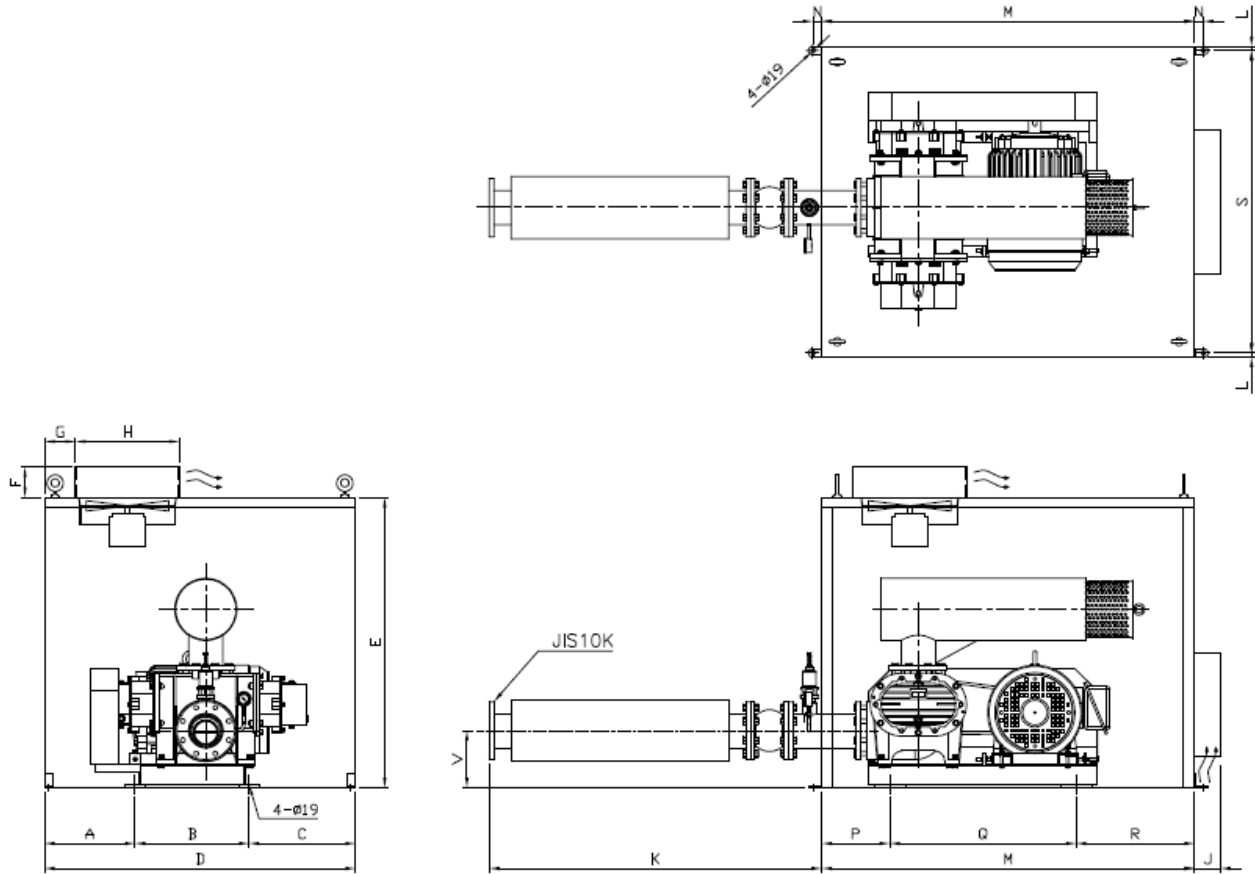
Model	Sound Proof Dimension (mm)			Maintenance Door Dimension (mm)		Ventilation Fan Specification				Component Material					
	Length	High	Width	High	Width	Capacity (cmm)	Power (HP)	Voltage	Q'ty	Exterior		Noise Absorption			Interior Frame
										Material	Thickness (mm)	Material	Density	Thickness (mm)	Material
GRB-40	900	700	800	700	700	200	0.5	380	1	SS400	1.6	Fiber Glass	48K	50	SS400
GRB-50	1000	750	800	750	800	200	0.5	380	1	SS400	1.6	Fiber Glass	48K	50	SS400
GRB-65	1000	750	800	750	800	200	0.5	380	1	SS400	1.6	Fiber Glass	48K	50	SS400
GRB-80	1300	900	1100	900	900	250	0.5	380	1	SS400	1.6	Fiber Glass	48K	50	SS400
GRB-100	1300	900	1100	900	900	250	0.5	380	1	SS400	1.6	Fiber Glass	48K	50	SS400
GRB-125A	1600	1200	1400	1150	900	250	0.5	380	1	SS400	1.6	Fiber Glass	48K	50	SS400
GRB-125	1600	1200	1400	1150	900	250	0.5	380	1	SS400	1.6	Fiber Glass	48K	50	SS400
GRB-150	1800	1400	1500	1400	900	250	0.5	380	1	SS400	1.6	Fiber Glass	48K	50	SS400
GRB-200A	1900	1600	1500	1600	800	250	0.5	380	2	SS400	1.6	Fiber Glass	48K	50	SS400
GRB-200	1900	1600	1500	1600	800	250	0.5	380	2	SS400	1.6	Fiber Glass	48K	50	SS400
GRB-250	2200	1600	1650	1600	900	250	0.5	380	2	SS400	1.6	Fiber Glass	48K	50	SS400
GRB-300A	2500	1800	2000	1800	1000	250	0.5	380	2	SS400	1.6	Fiber Glass	48K	50	SS400
GRB-300	2850	2100	1900	2100	1200	250	0.5	380	2	SS400	1.6	Fiber Glass	48K	50	SS400

**Remark:** Larger models are available upon request.



## Complete set dimension (Sound proof packaged installation)

For GRB-40 - GRB-150

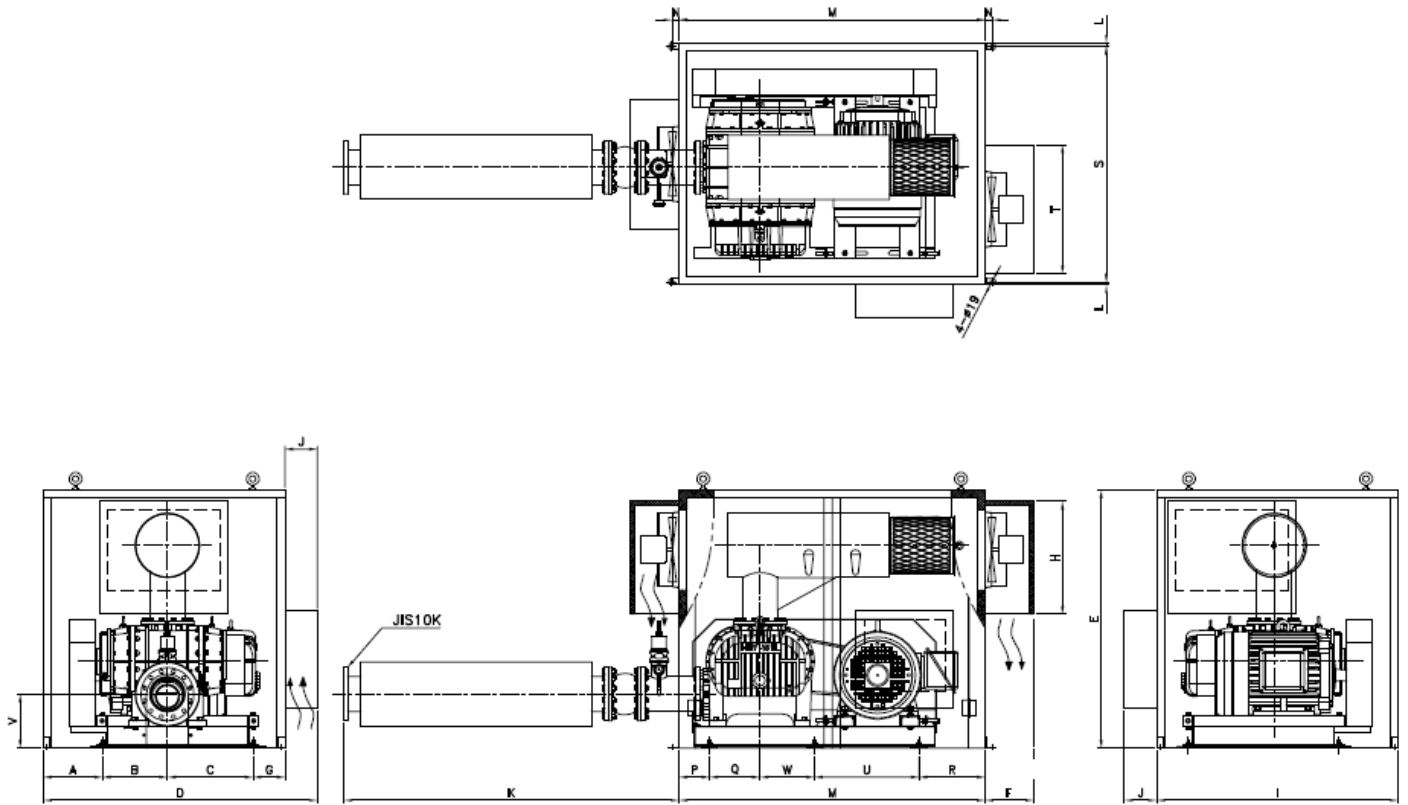


mm.

Model	A	B	C	D	E	F	G	H	J	K	L	M	N	P	Q	R	S	V
GRB-40	195	350	255	800	700	150	47.5	465	100	825	20	900	42	181	500	219	760	150
GRB-50	209	350	241	800	750	150	47.5	465	100	834	20	1000	42	93	795	112	760	179
GRB-65	238	350	212	800	750	150	47.5	465	100	835	20	1000	42	93	795	112	760	179
GRB-80	309	450	341	1100	900	150	100	500	125	1054	20	1073	42	128	945	227	1060	182
GRB-100	259	450	391	1100	1050	150	100	500	125	1052	20	1300	42	128	945	227	1060	187
GRB-125A	510	550	340	1400	1200	150	150	500	125	1617	20	1600	42	308	900	392	1360	235
GRB-125	450	550	400	1400	1200	150	150	500	125	1613	20	1600	42	308	900	392	1360	263
GRB-150	437	550	513	1500	1400	150	150	500	125	1605	20	1800	42	328	900	571	1460	275

# Complete set dimension (Sound proof packaged installation)

## For GRB-200A - GRB-300



Model	A	B	C	D	E	F	G	H	I	J	K	L	M	N	P	Q	R	S	T	W	U	V
GRB-200A	373	352	583	1700	1600	300	192	700	1500	200	2089	20	1900	42	190	313	410	1460	800	337	650	335
GRB-200	367	402	533	1700	1600	300	198	700	1500	200	2079	20	1900	42	190	313	410	1460	800	337	650	335
GRB-250	368	477	457	1850	1600	300	348	700	1650	200	2250	20	2200	42	190	313	710	1610	800	337	650	355
GRB-300A	468	548	378	2250	1800	300	608	700	2000	250	2205	20	2500	42	325	273	646	1960	800	493	765	417
GRB-300	565	400	610	2150	2100	300	325	700	1900	250	2327	20	2850	42	400	325	450	1860	800	675	1000	562

**Remark:** Larger models are available upon request.

# Welcome to ask for the following product catalogue



## Pump series

- Submersible pump series
- On land pump series
- Special pump series
- Fire fighting pump series



## Mixing and flow Propeller series

- Mixer series
- Flow propeller series



## Aerating oxygen Inputing series

- Aerator series
- Disc diffuser series
- Diffuser series



## Blower series

- Three-lobe roots blower series
- Pressure boost roots blower



## Sludge treatment equipment and others

- Solid liquid separation series
- Dissolving equipment
- Conveying equipment



GSD Industrial Co.,Ltd

本型录内容如有变更，恕不另行通知。  
We reserve the right to change content without notice.